



OE8413 - Lincat Opus 800
Electric Counter-top
Direct Cook Chargrill - W
600 mm - 8.4 kW

Create perfectly cooked, expertly
branded burgers and steaks

- ✔ Food cooked directly on elements, so no need for separate branding bars
- ✔ Consistent temperature across whole cooking area
- ✔ Powerful elements with rapid heat up
- ✔ Temperature range from 90°C to 400°C
- ✔ Removable tank liner for easy cleaning
- ✔ No water connection required

Specifications

Summary

Brand	Lincat
Range	Opus 800
Power Type	Electric
Unit Type	Counter-top
Available in UK Only	No
UK Warranty	2 Years Parts and Labour Warranty
Export Warranty	Contact your local dealer
GTIN	5056105118343

Power and Performance

Total Power kW	8.40
Temperature Range °C	90-400
IP Rating	IPX4
Cooking Area (Width x Depth) mm	450 x 590
Temperature Control	Mechanical

Key Specifications

Number of Heat Zones	1
-----------------------------	---

Weights and Dimensions

Unit Height (External) mm	592
Unit Width (External) mm	600
Unit Depth (External) mm	800
Net Weight Kg	58.1

Supply Connections

Requires Installation	Yes
Requires Electrical Supply	Yes
UK 3 Pin Plug	No
Requires Hardwiring	Yes
Electrical Supply Rating Watts	8,400
Three Phase Amps	L1=11; L2=11; L3=15
Three Phase Voltage	400

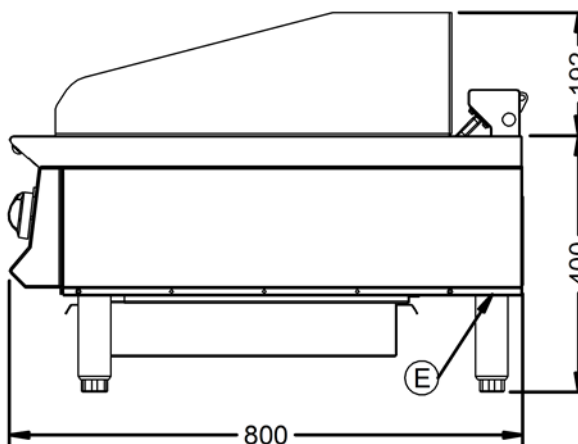
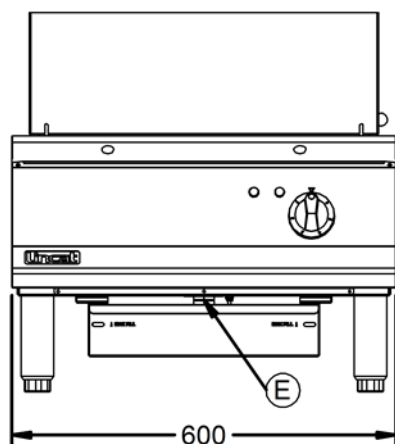
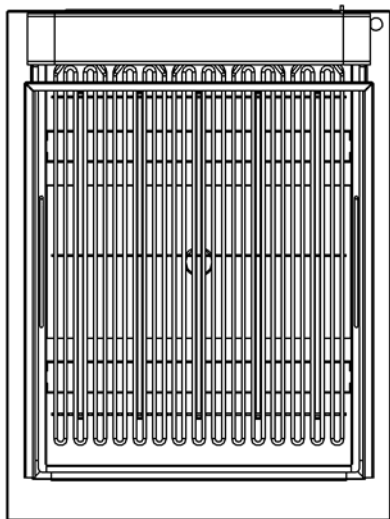
Shipping

Packed Weight Kg	68.5
Packed Height cm	75
Packed Width cm	70
Packed Depth cm	85

Available Accessories

OA8989	HOLDING SHELF FOR OG8401 & OG8403
OA8991	Lincat Opus 800 Free-standing Floor Stand with Legs - for Synergy Grill W 600 mm
OA8991/C	Lincat Opus 800 Free-standing Floor Stand with Castors - for Synergy Grill W 600 mm
OA9002	NULL

Technical Picture



Lincat Limited

Whisby Road,
Lincoln, LN6 3QZ,
United Kingdom

Company No: 2175448

A member company of



Customer Care

Tel: +44 1522 875500
Email: care@lincat.co.uk

Export Customers

Tel: +44 1522 875536
Email: export@lincat.co.uk

Opening Hours

Monday – Friday:
8.30am – 5pm