



No.145, 11th Industry Rd. Ta-Li City,
Taichung Hsien 412 Taiwan
Phone:886-4-2491-7585
E-Mail:spar@tcts.seed.net.tw

SP-50HA Mixer

Specifications

● **Motor** <<<<<<
2 HP (1500W), grease packed ball bearing, air-cooled,
230V/50Hz/1Ph, 220V/380V/3Ph

● **Controls** <<<<<<
Spar Mixer controls are front-mounted to give easy access in cramped kitchen environments. The following controls are standard on all Spar Mixers: separate start and emergency stop buttons so operators can shut down the mixer immediately in an emergency situation, a 15-minute timer which shuts off the machine after set time has elapsed, and thermal overload protection

● **Cord and Plug** <<<<<<
Both single phase and three phase are hard wired

● **Transmission** <<<<<<
Heat-treated, hardened alloy, precision milled gears operate with planetary action. Gears are packed in a long-lasting, high pressure grease. Planetary gears are driven by an oversized cog-wheel, which is in turn driven by a cogged belt powered by the motor drive shaft. Cogged belt is a long-lasting, rugged fibre/rubber composite. This unique design yields high-torque mixing power while avoiding the high cost encountered repairing direct-drive transmission components.

● **Speeds** <<<<<<

Speed	Agitator rpm	Hub rpm's
Low Speed	99	41
Intermediate Speed	176	73
High Speed	320	133

● **Bowls and Agitators** <<<<<<
Standard equipment includes a 50Qt. (50L) high quality stainless steel bowl, dough hook, flat beater, and whip. A sturdy hand lever on the body column raises and lowers the bowl as well as locking in place at the top and bottom positions.

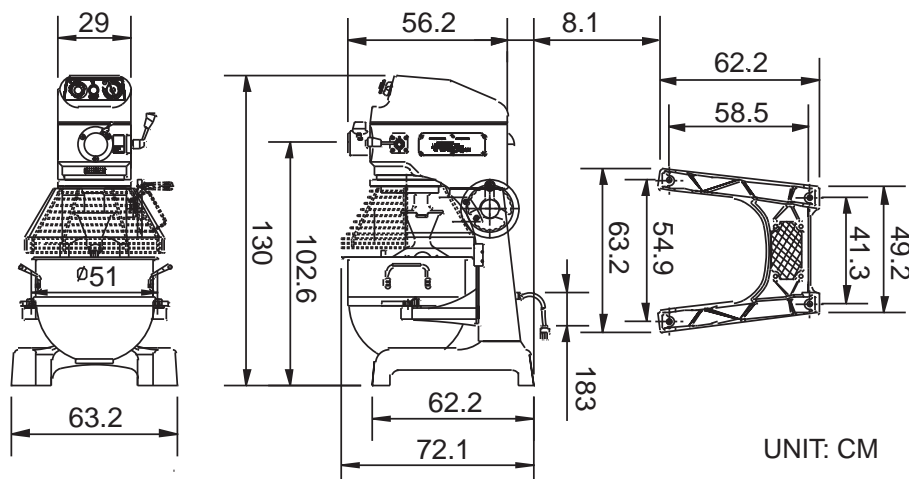
● **Attachments** <<<<<<
 Vegetable Slicer for #12 hub
 Meat grinder for #12 hub
 20 quart adapter kit

● **Finish** <<<<<<
Top (transmission cover): metallic bronze epoxy enamel
Bottom:metallic gray epoxy enamel

● **Shipping Information** <<<<<<
N.W. 270kgs
G.W. 310kgs

Carton Size:
Depth x Width x Height
75cm x 65cm x 131cm

Cartons are affixed to an undersized skid (pallet), the weight and diminsions of this skid are not included above and may vary from shipment to shipment.



UNIT: CM

SP-50HA <<<<<<