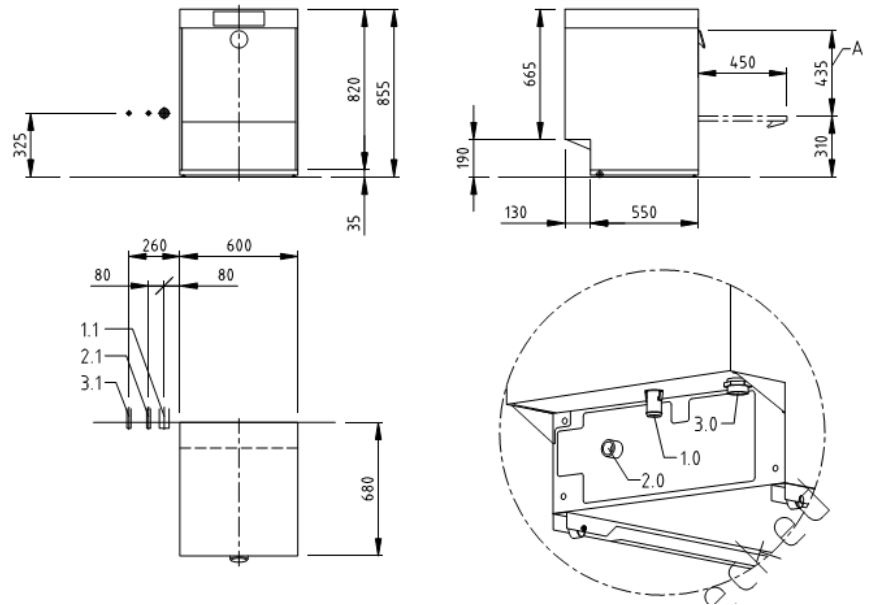


MiClean UL

Large size utensil washer



Product Features & Benefits

- Handle with LED illumination and colour-coded status display
- Touch display mad from hygienic safety glass with program progress indicator with high resolution, TFT colour graphic display
- Intuitive operation-blue operating concept
- Interior lights up when door is opened
- Bluetooth interface
- M-Clean filter-active filter system (including monitoring of correct positioning and function)
- Stainless steel detergent and rinse aid lines inside the unit

Optional Features

- Stainless Steel Cupboard
- GIO MODULE, integrated reverse osmosis system
- Air Concept heat recovery system

#For connection to cold water and/or short basket exchange times, the wash cycles may increase to achieve hygienic final rinse temperatures.

MEIKO MiClean Model UM			
TECHNICAL SPECIFICATIONS			
Tank heating in Kw:		2.0	
Booster heating in Kw: (requires hot water supply)		2.0	
Pump capacity in Kw:		0.55	
Water consumption L/basket		2.4	
Tank capacity in litres		11	
Basket dimensions in mm		500 x 600 (500)	
#Programme cycle in seconds		90/120/180	
#Theoretical basket capacity		40/30/20	
1.0	Machine connection drain	Pump out drain	Hose ¾ "
1.1	Drain point	Max. 300mm from floor	50mm
2.0	Machine connection point	Nominal value	Thread ¾ "
2.1	Water supply point	Flow pressure Temperature Water hardness	1 bar -5 bar Hot water Max 53.4ppm
3.0	Machine connection electrical	Total rating	15A Plug top supplied for single phase connection
#3.1	Electrical point	Single phase option	1NPE 230V 50Hz, 2.9Kw