



## PB66 - Silverlink 600 Electric Counter-top Pasta Cooker - Twin Tank - W 600 mm - 2 x 3.0 kW

Not only does the Silverlink 600 Electric Pasta Boiler deliver perfect pasta every time, it also has the versatility to be used as a steamer and Bain Marie, too.

- ✓ Delivering perfect pasta, time after time
- ✓ Front mounted controls ensure safe working practice
- ✓ Hinging element with safety cut-out provides easy access to tank for cleaning
- ✓ Thermostatic control maintains accurate water temperature
- ✓ Enhanced resistance to punishing salt and starch corrosion with high quality grade 304 stainless steel tanks, basket support plates, and corrosion-resistant elements
- ✓ Front drain taps with straight drain pipes for fast, easy drainage of water - and no blockages
- ✓ Lid to reduce heat up time and also cover tanks when not in use
- ✓ Convenient twin electrical cables on PB66 twin tank model allow you to plug in to standard 13 amp sockets

### Specifications

#### Summary

<b>Range Name</b>	Silverlink 600
<b>Power Type</b>	Electric
<b>Unit Type</b>	Counter-top
<b>Available in UK Only</b>	No
<b>UK Warranty</b>	2 Years Parts and Labour Warranty
<b>Export Warranty</b>	Contact your local dealer
<b>GTIN Code</b>	5056105100171

#### Power and Performance

<b>Total Power kW</b>	2 x 3.0
<b>IP Rating</b>	IP33
<b>Temperature Control</b>	Mechanical

#### Key Specifications

<b>Capacity Litres</b>	2 x 11.0
<b>Number of Baskets</b>	0
<b>Number of Tanks</b>	2

#### Weights and Dimensions

<b>Unit Height (External) mm</b>	330
<b>Unit Width (External) mm</b>	600
<b>Unit Depth (External) mm</b>	600
<b>Net Weight Kg</b>	22.8

#### Supply Connections

<b>Requires Installation</b>	No
<b>Requires Electrical Supply</b>	Yes
<b>UK 3 Pin Plug</b>	Yes
<b>Requires Hardwiring</b>	No
<b>Electrical Supply Rating Watts</b>	2 x 3,000
<b>Single Phase Amps</b>	2 x 13.0
<b>Single Phase Voltage</b>	230

#### Shipping

<b>Packed Weight Kg</b>	27.3
<b>Packed Height cm</b>	49.5
<b>Packed Width cm</b>	70
<b>Packed Depth cm</b>	70

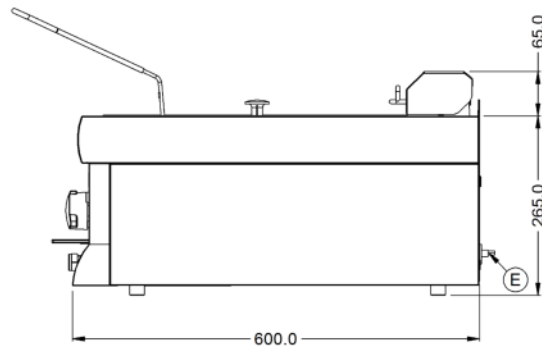
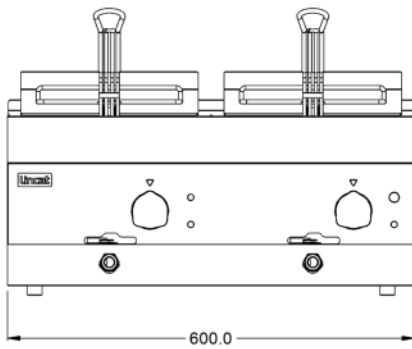
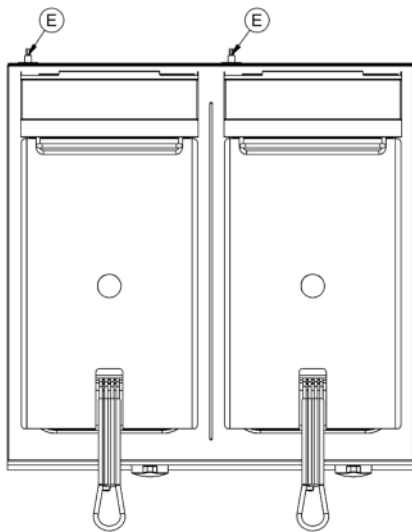
### Available Accessories

<b>BA112</b>	BASKET PASTA
<b>BA114</b>	BASKET 1/2 PASTA
<b>BA115</b>	BASKET R/H 1/4 PASTA
<b>BA116</b>	BASKET L/H 1/4 PASTA

**Available Accessories**

<b>CC6</b>	Silverlink 600 Free-standing Ambient Open-Top Pedestal with Doors - W 600 mm
<b>CN6</b>	Silverlink 600 Free-standing Ambient Open-Top Pedestal without Doors - W 600 mm
<b>HC6</b>	Silverlink 600 Free-standing Heated Open-Top Pedestal with Doors - W 600 mm - 0.5 kW
<b>HCL6</b>	Silverlink 600 Free-standing Heated Pedestal with Legs and Doors - W 600 mm - 0.5 kW
<b>SLS6</b>	Silverlink 600 Free-standing Floor Stand - for units W 600 mm

**Technical Picture**





**Lincat Limited**

Whisby Road,  
Lincoln, LN6 3QZ,  
United Kingdom

**Company No:** 2175448

A member company of



**Customer Care**

**Tel:** +44 1522 875500  
**Email:** [care@lincat.co.uk](mailto:care@lincat.co.uk)

**Export Customers**

**Tel:** +44 1522 503250  
**Email:** [export@lincat.co.uk](mailto:export@lincat.co.uk)

**Opening Hours**

**Monday – Friday:**  
8.30am – 5pm