



OE8414 - Lincat Opus 800 Electric Counter-top Direct Cook Chargrill - W 900 mm - 13.44 kW

Create perfectly cooked, expertly
branded burgers and steaks

- ✓ Food cooked directly on elements, so no need for separate branding bars
- ✓ Powerful elements with rapid heat up
- ✓ Two heat zones with separate controls
- ✓ Removable tank liner for easy cleaning
- ✓ Consistent temperature across whole cooking area
- ✓ Temperature range from 90°C to 400°C

Specifications

Summary

Brand	Lincat
Range	Opus 800
Power Type	Electric
Unit Type	Counter-top
Available in UK Only	No
UK Warranty	2 Years Parts and Labour Warranty
Export Warranty	Contact your local dealer
GTIN	5056105118350

Power and Performance

Total Power kW	13.44
Temperature Range °C	90-400
IP Rating	IPX4
Cooking Area (Width x Depth) mm	730 x 590
Temperature Control	Mechanical

Key Specifications

Number of Heat Zones	2
-----------------------------	---

Weights and Dimensions

Unit Height (External) mm	592
Unit Width (External) mm	900
Unit Depth (External) mm	800
Net Weight Kg	78.5

Supply Connections

Requires Installation	Yes
Requires Electrical Supply	Yes
UK 3 Pin Plug	No
Requires Hardwiring	Yes
Electrical Supply Rating Watts	13,440
Three Phase Amps	L1=15; L2=22; L3=22
Three Phase Voltage	400

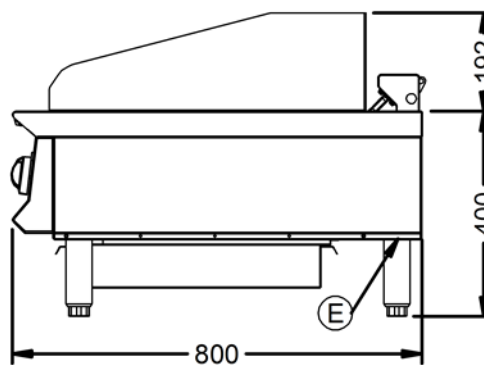
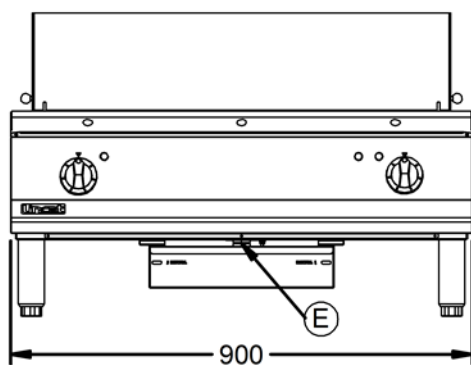
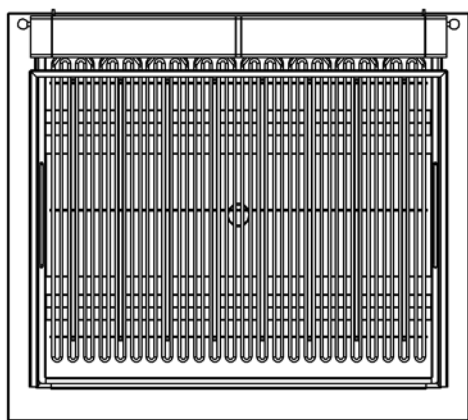
Shipping

Packed Weight Kg	90
Packed Height cm	75
Packed Width cm	100
Packed Depth cm	85

Available Accessories

OA8990	HOLDING SHELF FOR OG8402
OA8992	Lincat Opus 800 Free-standing Floor Stand with Legs - for Synergy Grill W 900 mm
OA8992/C	Lincat Opus 800 Free-standing Floor Stand with Castors - for Synergy Grill W 900 mm
OA9003	NULL

Technical Picture



Lincat Limited

Whisby Road,
Lincoln, LN6 3QZ,
United Kingdom

Company No: 2175448

A member company of



Customer Care

Tel: +44 1522 875500
Email: care@lincat.co.uk

Export Customers

Tel: +44 1522 875536
Email: export@lincat.co.uk

Opening Hours

Monday – Friday:
8.30am – 5pm