



Project _____
 Item # _____
 Quantity _____

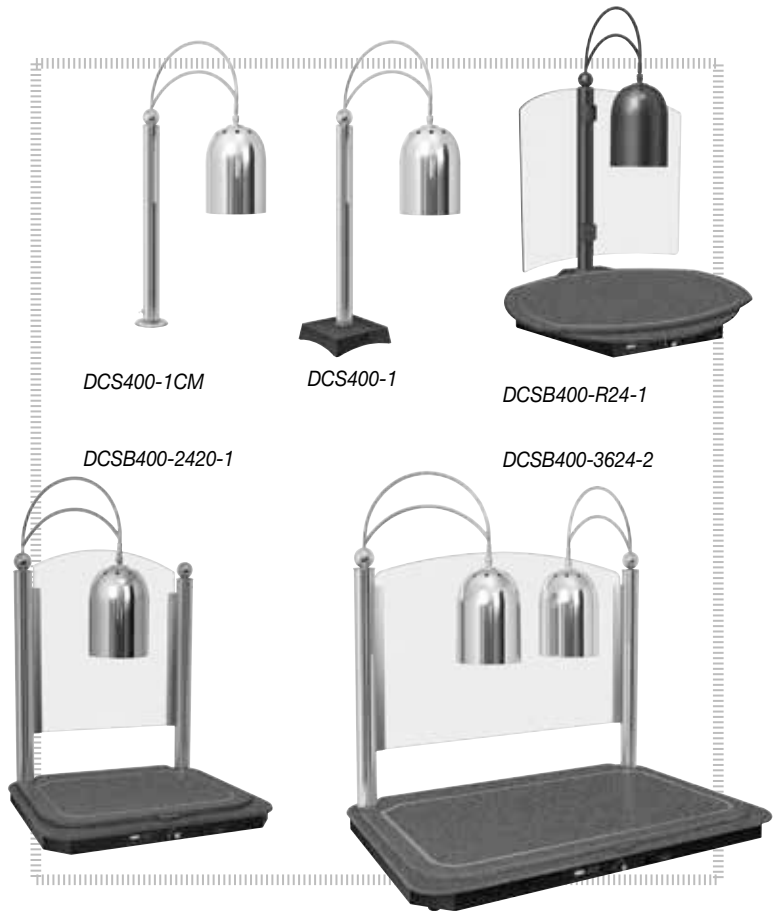
Decorative Carving Stations

- Models: DCS400-1
 DCS400-1CM
 DCSB400-R24-1
 DCSB400-2420-1
 DCSB400-3624-2

Providing proper food serving temperatures, the Decorative Carving Station combines the Hatco Decorative Heat Lamp with the Swanstone® Heated Base to create an attractive carving display. These warmers are perfect for chef stations in restaurants, hotels, country clubs, casinos and catered events.

Standard features

- Available as Post Mount, Counter Mount or Freestanding with a round or rectangular heated stone base
- Patented telescoping adjustable post pivots 30° to put the heat and light where it is needed
- Height can be adjusted from from the bottom of lamp to top of the cutting board:
 14" to 26" (356 to 660 mm) for DCSB400-R24-1, -2420-1, -3624-2
 15" to 27" (381 to 686 mm) for DCS400-1
 16" to 28" (406 to 711 mm) for DCS400-1CM
- DCS400-1 includes a 40 lbs. (18 kg) black base for stability and to minimize the risk of tipping
- DCS400-1CM is designed to be permanently mounted to a counter or stable shelf
- Heated base is controlled by an adjustable thermostat and power switch (excludes DCS400-1 and DCS400-1CM)
- Heated stone bases, post bases and cutting boards are made of foodsafe materials
- Sneeze guard is 5" (127 mm) above base for easy accessibility (excludes DCS400-1 and DCS400-1CM)
- Swanstone cutting board matches color of base (excludes DCS400-1 and DCS400-1CM)
- Clear coated, 250 watt bulb(s) included
- Comes with 6' (1829 mm) cord and plug attached



- Options** (available at time of purchase only)
- Post and Lamp Shades Plated Finishes:
 Bright Brass Bright Nickel (standard) Antique Bronze
- Heated Stone Base, Trim Ring (DCS400-1CM only) and Cutting Board
 Swanstone® Decorative Stone Color:
 Gray Granite Bermuda Sand Night Sky (standard)

- Accessories**
- Coated Red Bulb, 250 Watt (clear coat is standard)
 - Swanstone® Cutting Boards with Juice Groove, Heated Base Units include one Cutting Board (DCSB400-2420-1, DCSB400-3624-2 models only)
 - Gray Granite Bermuda Sand Night Sky (standard)

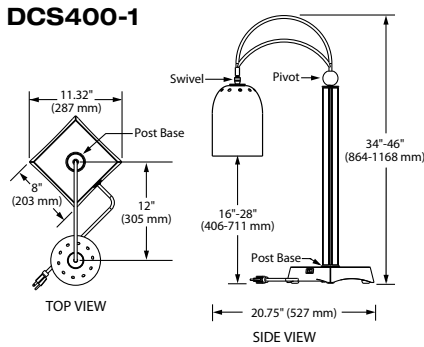




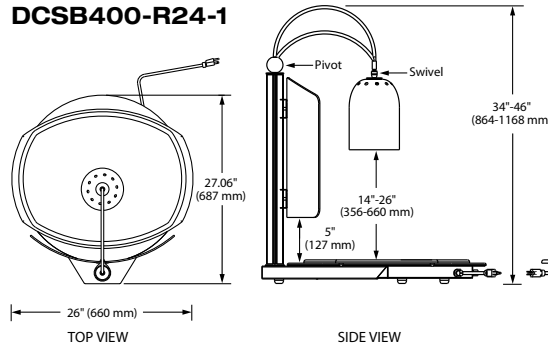
Decorative Carving Stations

Models: DCS400-1, DCS400-1CM, DCSB400-R24-1, DCSB400-2420-1, DCSB400-3624-2

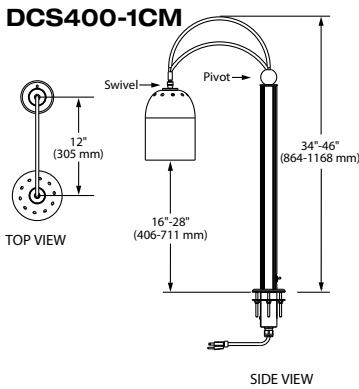
DCS400-1



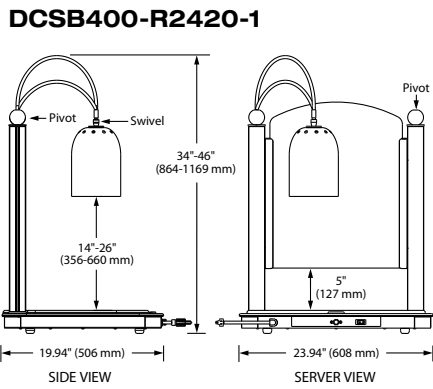
DCSB400-R24-1



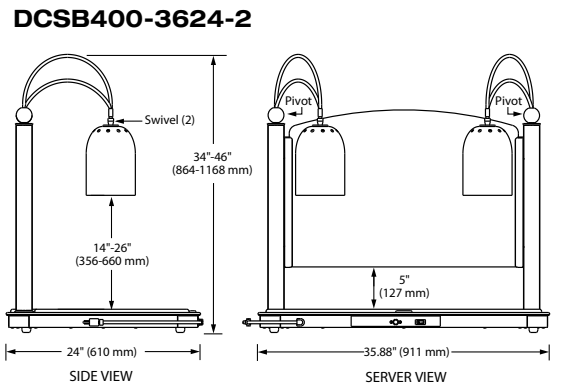
DCS400-1CM



DCSB400-R2420-1



DCSB400-3624-2



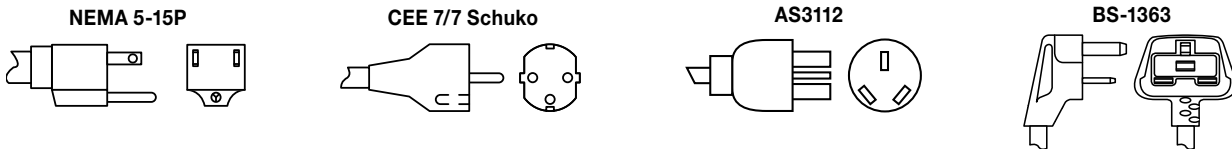
SPECIFICATIONS Decorative Carving Stations

The shaded areas contain electrical information for International models only

Model	Dimensions (Width x Depth x Height)	Heated Base Surface (Width x Depth)	Voltage	Phase	Watts	Amps	Plug	Cord Location	Ship Weight*
DCS400-1	8" x 20.75" x 34"-46" (203 x 527 x 864-1168 mm)	—	120	Single	250	2.1	NEMA 5-15P	Server side center, base of unit	32 lbs. (15 kg)
			230 (CE)	Single	250	1.1	CEE 7/7 Schuko, AS 3112 or BS-1363		
DCS400-1CM	6.125" x 20.75" x 34"-46" (156 x 527 x 864-1168 mm)	—	120	Single	250	2.1	NEMA 5-15P	Bottom of unit	17 lbs. (8 kg)
			230 (CE)	Single	250	1.1	CEE 7/7 Schuko, AS 3112 or BS-1363		
DCSB400-R24-1	26"W x 27.06"D x 34"-46"H (660 x 687 x 864-1168 mm)	24" (609 mm) diameter	120	Single	600	5.0	NEMA 5-15P	Server side on left, base of unit	75 lbs. (35 kg)
			230 (CE)	Single	600	2.6	CEE 7/7 Schuko, AS 3112 or BS-1363		
DCSB400-2420-1	23.94" x 19.94" x 34"-46" (608 x 506 x 864-1168 mm)	24" x 20" (609 x 508 mm)	120	Single	750	6.3	NEMA 5-15P	Server side on left, base of unit	106 lbs. (48 kg)
			230 (CE)	Single	750	3.3	CEE 7/7 Schuko, AS3112 or BS-1363		
DCSB400-3624-2	35.88" x 24" x 34"-46" (911 x 610 x 864-1168 mm)	36" x 24" (914 x 609 mm)	120	Single	1300	10.8	NEMA 5-15P	Server side on left, base of unit	154 lbs. (70 kg)
			230 (CE)	Single	1300	5.7	CEE 7/7 Schuko, AS3112 or BS-1363		

* Shipping weight includes packaging.

PLUG CONFIGURATIONS



PRODUCT SPECS Decorative Carving Stations

The Foodwarmer shall be a Decorative Carving Station, manufactured by the Hatco Corporation, Milwaukee, WI 53234 U.S.A.

The Foodwarmer shall be a Decorative Carving Station Model ... , rated at ... watts, ... volts, single phase, and be ... inches (millimeters) in overall width.

The foodwarmer shall be factory-assembled ready for electrical installation with cutting board and 6' (1829 mm) cord and plug. Heated base units shall be thermostatically controlled.

Warranty consists of 24/7 parts and service assistance (U.S. and Canada only).

HATCO CORPORATION | P.O. Box 340500 Milwaukee, WI 53234-0500 U.S.A.

(800) 558-0607 | (414) 671-6350 | www.hatcocorp.com | equipsales@hatcocorp.com | intl@hatcocorp.com