

hatcocorp.com

Register Online!
(see page 2)

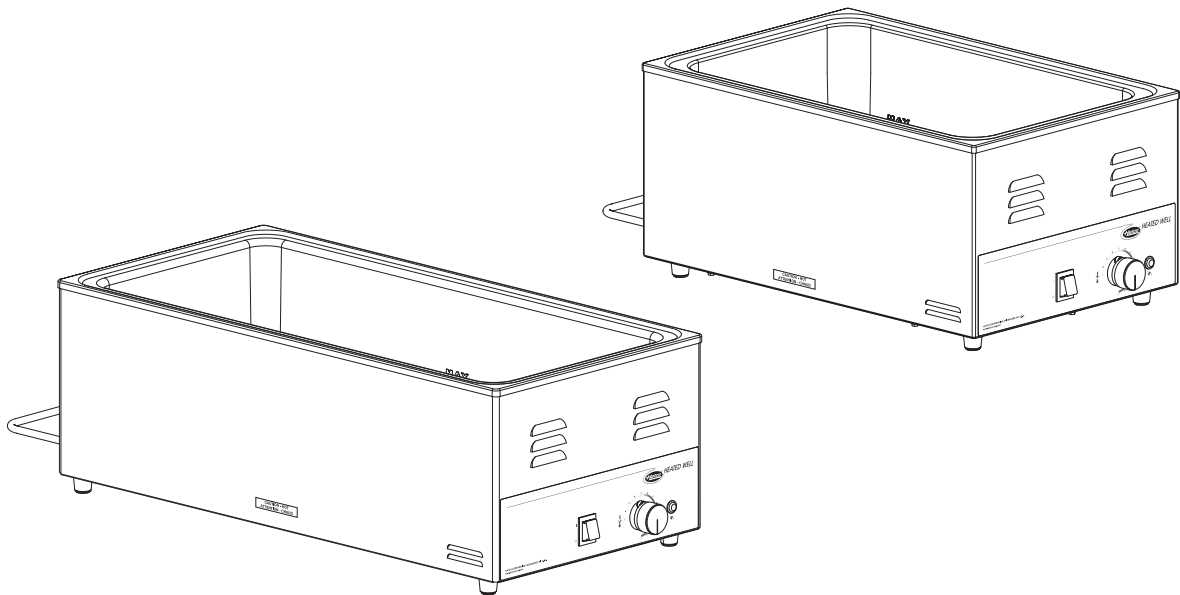
S'inscrire en ligne!
(voir page 12)



Countertop Heated Wells Puits chauffants pour comptoir HW and CHW Series • Série HW et CHW

Installation and Operating Manual Manuel d'installation et d'utilisation

P/N 07.04.637.00



⚠ WARNING

Do not operate this equipment unless you have read and understood the contents of this manual! Failure to follow the instructions contained in this manual may result in serious injury or death. This manual contains important safety information concerning the maintenance, use, and operation of this product. If you're unable to understand the contents of this manual, please bring it to the attention of your supervisor. Keep this manual in a safe location for future reference.

English = p 2

⚠ ADVERTENCIA

No opere este equipo al menos que haya leído y comprendido el contenido de este manual! Cualquier falla en el seguimiento de las instrucciones contenidas en este manual puede resultar en un serio lesión o muerte. Este manual contiene importante información sobre seguridad concerniente al mantenimiento, uso y operación de este producto. Si usted no puede entender el contenido de este manual por favor pregunte a su supervisor. Almacenar este manual en una localización segura para la referencia futura.

⚠ AVERTISSEMENT

Ne pas utiliser cet équipement sans avoir lu et compris le contenu de ce manuel ! Le non-respect des instructions contenues dans ce manuel peut entraîner de graves blessures ou la mort. Ce manuel contient des informations importantes concernant l'entretien, l'utilisation et le fonctionnement de ce produit. Si vous ne comprenez pas le contenu de ce manuel, veuillez le signaler à votre supérieur. Conservez ce manuel dans un endroit sûr pour pouvoir vous y référer plus tard.

Français = p 12

<p>Important Owner Information2</p> <p>Introduction2</p> <p>Important Safety Information.....3</p> <p>Model Description.....4</p> <p style="padding-left: 20px;">All Models.....4</p> <p>Model Designation.....4</p> <p>Specifications.....5</p> <p style="padding-left: 20px;">Plug Configurations5</p> <p style="padding-left: 20px;">Electrical Rating Chart5</p> <p style="padding-left: 20px;">Dimensions5</p> <p>Installation6</p> <p style="padding-left: 20px;">General6</p>	<p>Operation7</p> <p style="padding-left: 20px;">General7</p> <p>Maintenance8</p> <p style="padding-left: 20px;">General8</p> <p style="padding-left: 20px;">Daily Cleaning8</p> <p style="padding-left: 20px;">Removing Lime and Mineral Deposits8</p> <p>Troubleshooting Guide9</p> <p>Options and Accessories.....10</p> <p>Limited Warranty.....11</p> <p>Authorized Parts Distributors.....Back Cover</p>
---	--

IMPORTANT OWNER INFORMATION

Record the model number, serial number, voltage, and purchase date of the unit in the spaces below (specification label located on the back of the unit near the power cord). Please have this information available when calling Hatco for service assistance.

Model No. _____

Serial No. _____

Voltage _____

Date of Purchase _____

Register your unit!

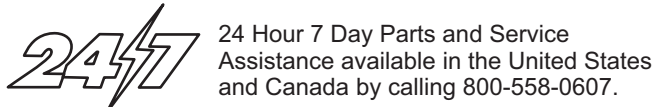
Completing online warranty registration will prevent delay in obtaining warranty coverage. Access the Hatco website at www.hatcocorp.com, select the *Parts & Service* pull-down menu, and click on "Warranty Registration".

Business Hours: 8:00 AM to 5:00 PM Central Standard Time (CST)
 (Summer Hours: June to September—
 8:00 AM to 5:00 PM CST Monday–Thursday
 8:00 AM to 2:30 PM CST Friday)

Telephone: 800-558-0607; 414-671-6350

E-mail: partsandservice@hatcocorp.com

Fax: 800-690-2966 (Parts and Service)
 414-671-3976 (International)



Additional information can be found by visiting our web site at www.hatcocorp.com.

INTRODUCTION

Hatco Countertop Heated Wells are specially designed to hold and/or rethermalize hot foods. Designed for wet or dry applications, the wells are available in two pan sizes—each heated with a long-life heating element design with a 2 year warranty. Heat is evenly distributed throughout the heavy gauge stainless steel construction to ensure hot food. The design allows for easy maintenance and durable performance. One year parts and on-site labor warranty is standard.

Hatco Countertop Heated Wells are products of extensive research and field testing. The materials used were selected for maximum durability, attractive appearance, and optimum performance. Every unit is inspected and tested thoroughly prior to shipment.

This manual provides the installation, safety, and operating instructions for the Countertop Heated Wells. Hatco recommends all installation, operating, and safety instructions appearing in this manual be read prior to installation or operation of a unit.



WARNING indicates a hazardous situation which, if not avoided, could result in death or serious injury.



CAUTION indicates a hazardous situation which, if not avoided, could result in minor or moderate injury.



NOTICE is used to address practices not related to personal injury.

⚠ Read the following important safety information before using this equipment to avoid serious injury or death and to avoid damage to equipment or property.

⚠ WARNING

ELECTRIC SHOCK HAZARD:

- Plug unit into a properly grounded electrical receptacle of the correct voltage, size, and plug configuration. If plug and receptacle do not match, contact a qualified electrician to determine and install proper voltage and size electrical receptacle.
- Turn OFF power switch, unplug power cord, and allow unit to cool before performing any cleaning, adjustments, or maintenance.
- DO NOT submerge or saturate with water. Unit is not waterproof. Do not operate if unit has been submerged or saturated with water.
- Unit is not weatherproof. Locate unit indoors where ambient air temperature is a minimum of 70°F (21°C).
- Do not use unit to melt or hold ice. Doing so may cause condensation, creating an electrical hazard and causing personal injury and/or damage to unit. Damage caused by condensation is not covered by warranty.
- Turn off and unplug unit when filling with water. Avoid splashing.
- Do not clean unit when it is energized or hot.
- Do not steam clean or use excessive water on unit.
- This unit is not “jet-proof” construction. Do not use jet-clean spray to clean this unit.
- Do not pull unit by power cord.
- Discontinue use if power cord is frayed or worn.
- Do not attempt to repair or replace a damaged power cord. Cord must be replaced by an Authorized Hatco Service Agent or a person with similar qualifications.
- This unit must be serviced by qualified personnel only. Service by unqualified personnel may lead to electric shock or burn.
- Use only Genuine Hatco Replacement Parts when service is required. Failure to use Genuine Hatco Replacement Parts will void all warranties and may subject operators of the equipment to hazardous electrical voltage, resulting in electrical shock or burn. Genuine Hatco Replacement Parts are specified to operate safely in the environments in which they are used. Some aftermarket or generic replacement parts do not have the characteristics that will allow them to operate safely in Hatco equipment.

FIRE HAZARD:

- Locate unit a minimum of 1” (25 mm) from combustible walls and materials. If safe distances are not maintained, discoloration or combustion could occur.
- Do not use flammable cleaning solutions to clean this unit.

Make sure all operators have been instructed on the safe and proper use of unit.

Do NOT use unit to rethermalize food while holding hot food.

This unit is not intended for use by children or persons with reduced physical, sensory, or mental capabilities. Ensure proper supervision of children and keep them away from unit.

⚠ WARNING

Make sure food product has been heated to the proper food-safe temperature. Failure to heat and hold food product properly may result in serious health risks.

Hatco Corporation is not responsible for actual food product serving temperature. It is the responsibility of the user to ensure that food product is held and served at a safe temperature.

This unit has no “user-serviceable” parts. If service is required on this unit, contact an Authorized Hatco Service Agent or contact the Hatco Service Department at 800-558-0607 or 414-671-6350; fax 800-690-2966; or International fax 414-671-3976.

⚠ CAUTION

BURN HAZARD:

- Some exterior surfaces on unit will get hot. Use caution when touching these areas.
- Hot water in unit may cause scalding injury. Allow unit to cool before draining or cleaning.

Locate unit at proper counter height in an area that is convenient for use. Location should be level to prevent unit or its contents from falling accidentally and strong enough to support weight of unit and contents.

Do not move or relocate unit when it contains food product. Turn off unit, remove food product, and allow to cool completely before moving or cleaning.

NOTICE

Standard and approved manufacturing oils may smoke up to 30 minutes during initial startup. This is a temporary condition. Operate unit without food product until smoke dissipates.

Do not locate unit in an area subject to excessive temperatures or grease from grills, fryers, etc. Excessive temperatures could cause damage to unit.

Unit is designed and recommended for use on metallic countertops. For other surfaces, verify with manufacturer that material is suitable for prolonged temperatures up to 200°F (93°C). Damage to any countertop material caused by heat generated from Hatco equipment is not covered under Hatco warranty.

Unit must be allowed to cool down to room temperature before changing from wet-to-dry or dry-to-wet operation. Allowing unit to run dry during wet operation or adding water during dry operation will damage unit.

Use non-abrasive cleaners and cloths only. Abrasive cleaners and cloths could scratch finish of unit, marring its appearance and making it susceptible to soil accumulation.

Do not use steel wool for cleaning. Steel wool will scratch the finish.

Do not use harsh chemicals such as bleach, cleaners containing bleach, or oven cleaners to clean this unit.

Clean unit daily to avoid malfunctions and maintain sanitary operation.

All Models

All Countertop Heated Well units are reliable and versatile. Units have a stainless steel and aluminized steel housing with a metal sheathed heating element that is available in standard and high wattage. Features include a Power I/O Switch (on/off), a Temperature Control, a "Dry" Indicator Light, and a 6' (1829 mm) cord and plug set.

All CHW-XXX models are high-wattage units capable of rethermalizing a variety of foods.

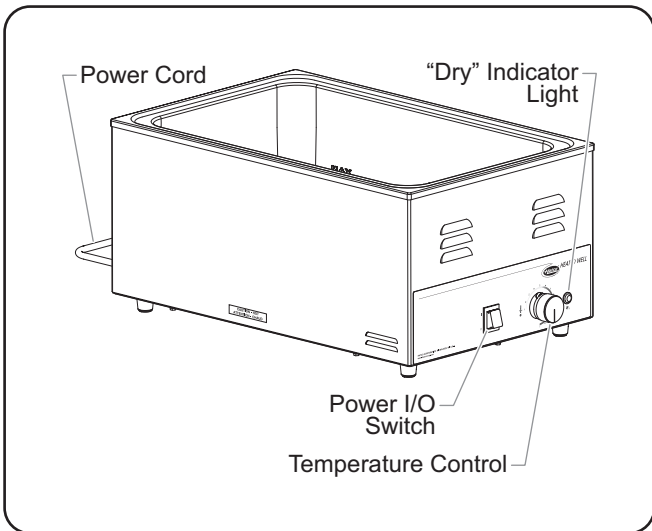
Countertop Heated Wells come standard in stainless steel and are designed, manufactured, and tested to maintain safe food holding temperatures.

HW-FUL and CHW-FUL Models

HW-FUL and CHW-FUL models are capable of holding a variety of pan combinations listed below. These models are designed to be placed on a non-combustible countertop.

- One full size pan.
- Three 1/3 size pans with adapter bars.
- Two 1/2 sized pans with adapter bars.

Pans and Adapter Bars sold separately (see the OPTIONS AND ACCESSORIES section for details).



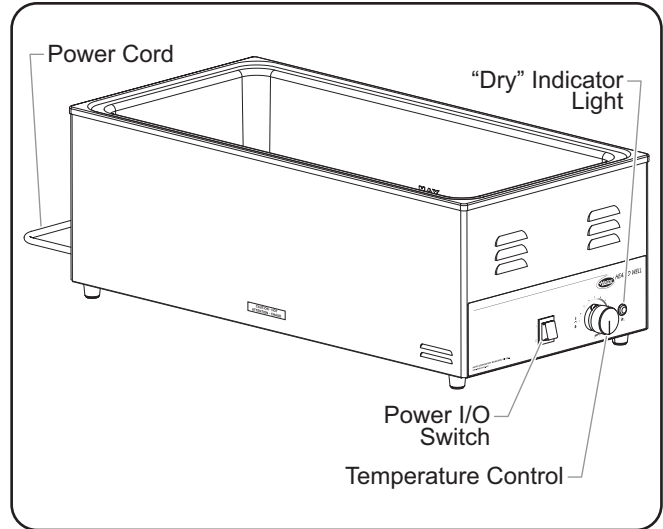
HW-FUL and CHW-FUL Countertop Heated Wells (HW-FUL shown)

HW-43 and CHW-43 Models

HW-43 and CHW-43 models are capable of holding a variety of pan combinations listed below. These models are designed to be placed on a non-combustible countertop.

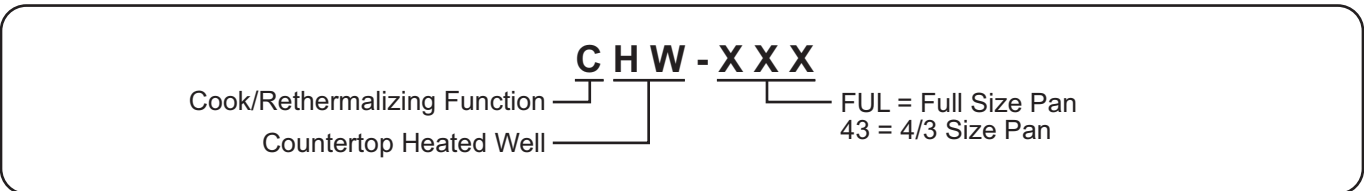
- One full size pan and one 1/3 size pan with adapter bars.
- Four 1/3 size pans with adapter bars.
- Two 1/2 size pans and one 1/3 size pan with adapter bars.

Pans and Adapter Bars sold separately (see the OPTIONS AND ACCESSORIES section for details).



HW-43 and CHW-43 Countertop Heated Wells (HW-43 shown)

MODEL DESIGNATION



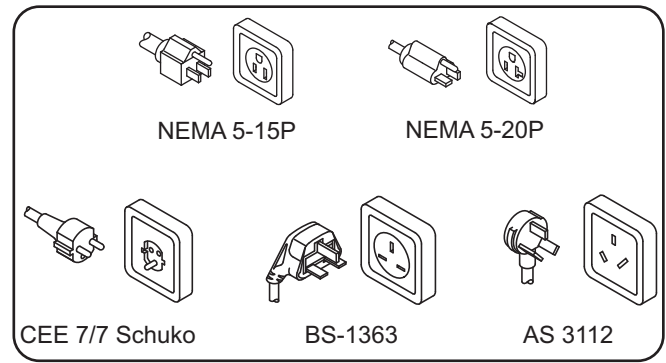
Plug Configurations

Units are supplied from the factory with an electrical cord and plug installed. Plugs are supplied according to the application.

⚠ WARNING

ELECTRIC SHOCK HAZARD: Plug unit into a properly grounded electrical receptacle of the correct voltage, size, and plug configuration. If plug and receptacle do not match, contact a qualified electrician to determine and install the proper voltage and size electrical receptacle.

NOTE: The specification label is located on the back of the unit near the power cord. See label for serial number and verification of unit electrical information.



Plug Configurations

NOTE: Receptacle not supplied by Hatco.

Electrical Rating Chart

Model	Voltage	Watts	Amps	Phase	Plug Configuration	Shipping Weight
HW-FUL	120	1200	10	1	NEMA 5-15P	27 lbs. (12 kg)
	230	1200	5.2	1	CEE 7/7 Schuko, BS-1363, or AS 3112	27 lbs. (12 kg)
CHW-FUL	120	1440	12	1	NEMA 5-15P	28 lbs. (13 kg)
HW-43	120	1200	10	1	NEMA 5-15P	33 lbs. (15 kg)
CHW-43	120	1800	15	1	NEMA 5-15P*	33 lbs. (15 kg)

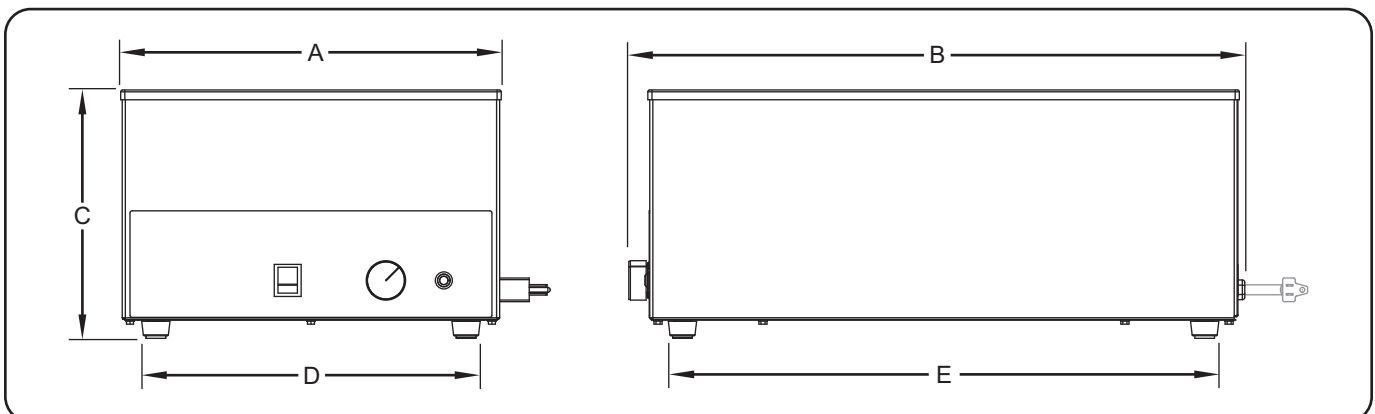
The shaded areas contain electrical information for **International models only**.

* NEMA 5-20P for Canada.

NOTE: Shipping weight includes packaging.

Dimensions

Model	Width (A)	Depth (B)	Height (C)	Footprint Width (D)	Footprint Depth (E)
HW-FUL	14-5/8" (370 mm)	23-15/16" (607 mm)	9-3/4" (248 mm)	12-1/2" (317 mm)	20-7/16" (519 mm)
CHW-FUL	14-5/8" (370 mm)	23-15/16" (607 mm)	10-3/4" (273 mm)	12-1/2" (317 mm)	20-7/16" (519 mm)
HW-43	14-1/2" (368 mm)	30-15/16" (785 mm)	9-11/16" (245 mm)	13-5/16" (337 mm)	28" (710 mm)
CHW-43	14-1/2" (368 mm)	30-15/16" (785 mm)	10-11/16" (270 mm)	13-5/16" (337 mm)	28" (710 mm)



General

Countertop Heated Well units are shipped from the factory fully assembled and ready for use. Use the following procedure to install the unit.

WARNING

ELECTRIC SHOCK HAZARD:

- **Plug unit into a properly grounded electrical receptacle of the correct voltage, size, and plug configuration. If plug and receptacle do not match, contact a qualified electrician to determine and install proper voltage and size electrical receptacle.**
- **Unit is not weatherproof. Locate unit indoors where ambient air temperature is a minimum of 70°F (21°C).**

FIRE HAZARD: Locate unit a minimum of 1" (25 mm) from combustible walls and materials. If safe distances are not maintained, discoloration or combustion could occur.

CAUTION

Locate unit at proper counter height in an area that is convenient for use. Location should be level to prevent unit or its contents from falling accidentally and strong enough to support weight of unit and contents.

NOTICE

Do not locate unit in an area subject to excessive temperatures or grease from grills, fryers, etc. Excessive temperatures could cause damage to unit.

Unit is designed and recommended for use on metallic countertops. For other surfaces, verify with manufacturer that material is suitable for prolonged temperatures up to 200°F (93°C). Damage to any countertop material caused by heat generated from Hatco equipment is not covered under Hatco warranty.

1. Remove the unit from the box.

NOTE: To prevent delay in obtaining warranty coverage, complete online warranty registration. See the IMPORTANT OWNER INFORMATION section for details.

2. Remove tape and protective packaging from all surfaces of the unit.
3. Place the unit in the desired location.
 - Locate the unit in an area where the ambient air temperature is constant and a minimum of 70° F (21° C). Avoid areas that may be subject to active air movements or currents (i.e., near exhaust fans/hoods and air conditioning ducts).
 - Make sure the unit is at the proper counter height in an area convenient for use.
 - Make sure the countertop is level and strong enough to support the weight of the unit and food product.
 - Make sure the feet on the bottom of the unit are positioned securely on the countertop.
4. Install any accessories that came with the unit. Refer to the OPTIONS AND ACCESSORIES section for details.

General

Use the following procedures to operate a Countertop Heated Well.

WARNING

Read all safety messages in the Important Safety Information section before operating this equipment.

ELECTRIC SHOCK HAZARD:

- DO NOT use unit to melt or hold ice. Doing so may cause condensation, creating an electrical hazard and causing personal injury and/or damage to unit. Damage caused by condensation is not covered by warranty.
- Turn off and unplug unit when filling with water. Avoid splashing.

Do NOT use unit to rethermalize food while holding hot food.

NOTICE

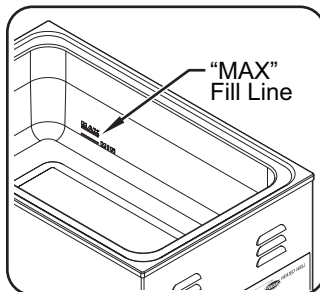
Standard and approved manufacturing oils may smoke up to 30 minutes during initial startup. This is a temporary condition. Operate unit without food product until smoke dissipates.

Unit must be allowed to cool down to room temperature before changing from wet-to-dry or dry-to-wet operation. Allowing unit to run dry during wet operation or adding water during dry operation will damage unit.

Hatco Countertop Heated Wells are designed for WET or DRY operation. Hatco recommends wet operation for consistent food heating. If the unit is operating wet and is allowed to run dry, turn it off and allow to cool before adding water.

Startup

1. If using the well for wet operation, fill the well with **HOT** tap water up to the "MAX" fill line inside the well.
2. Plug the unit into a properly grounded electrical receptacle of the correct voltage, size, and plug configuration. See the SPECIFICATIONS section for details.



CAUTION

BURN HAZARD: Some exterior surfaces on unit will get hot. Use caution when touching these areas.

3. Move the Power I/O Switch (on/off) to the I (on) position. The indicator light on the switch glows when the unit is on.
4. Turn the Temperature Control to the desired food-safe temperature setting.
 - Turning the control clockwise toward "7" increases the temperature.
 - Turning the control counterclockwise toward "1" decreases the temperature.
5. Place an empty food pan in the heated well, and allow the well to preheat for approximately 30 minutes.

Food Rethermalizing (CHW-FUL and CHW-43 models only)

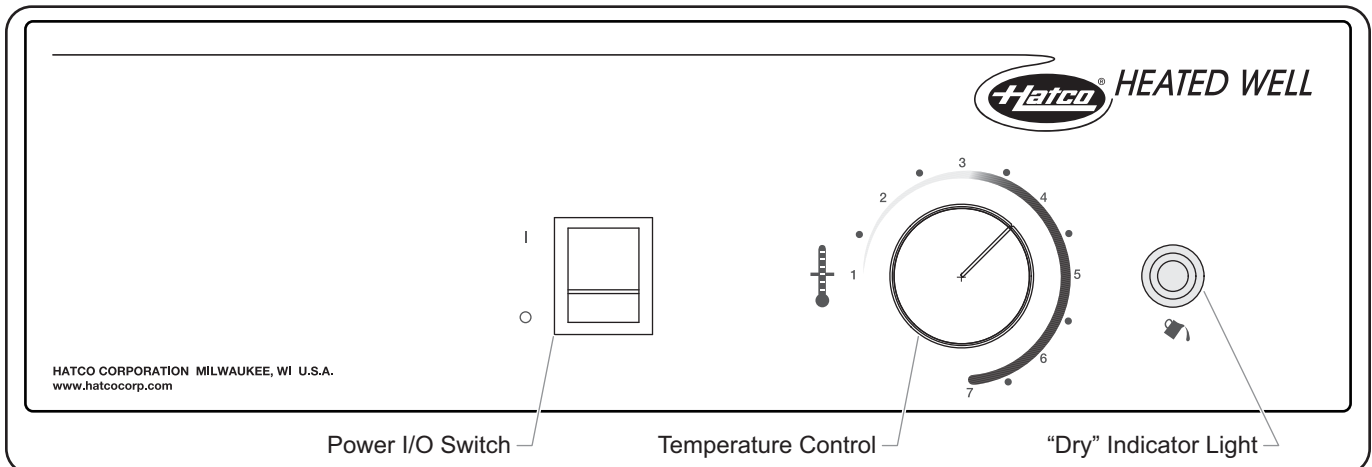
Place the appropriate size food pan(s) into the unit opening.

- Always use wet operation when rethermalizing.
- Always use a food pan. Do not place food directly into the heated well.
- Stir thick food items frequently to keep food heated uniformly.
- Keep pans covered to maintain food quality and temperature.
- Monitor the water level inside the well. Refill the well when the water level reaches the "MIN" line inside the well.

NOTE: The "Dry" Indicator Light will illuminate when the well runs dry. Turn off the unit, allow it to cool, and then refill with hot tap water to the "MAX" fill line.

Shutdown

1. Move the Power I/O Switch (on/off) to the O (off) position. The indicator light on the switch will shut off.



HW and CHW Series Control Panel

General

Countertop Heated Wells are designed for maximum durability and performance, with minimum maintenance.



WARNING

ELECTRIC SHOCK HAZARD:

- Turn OFF power switch, unplug power cord, and allow unit to cool before performing any cleaning, adjustments, or maintenance.
- DO NOT submerge or saturate with water. Unit is not waterproof. Do not operate if unit has been submerged or saturated with water.
- Do not clean unit when it is energized or hot.
- Do not steam clean or use excessive water on unit.
- This unit is not “jet-proof” construction. Do not use jet-clean spray to clean this unit.
- Use only Genuine Hatco Replacement Parts when service is required. Failure to use Genuine Hatco Replacement Parts will void all warranties and may subject operators of the equipment to hazardous electrical voltage, resulting in electrical shock or burn. Genuine Hatco Replacement Parts are specified to operate safely in the environments in which they are used. Some aftermarket or generic replacement parts do not have the characteristics that will allow them to operate safely in Hatco equipment.

FIRE HAZARD: Do not use flammable cleaning solutions to clean this unit.

This unit has no “user-serviceable” parts. If service is required on this unit, contact an Authorized Hatco Service Agent or contact the Hatco Service Department at 800-558-0607 or 414-671-6350; fax 800-690-2966; or International fax 414-671-3976.



CAUTION

BURN HAZARD: Hot water in unit may cause scalding injury. Allow unit to cool before draining or cleaning.

Do not move or relocate unit when it contains food product. Turn off unit, remove food product, and allow to cool completely before moving or cleaning.

NOTICE

Use non-abrasive cleaners and cloths only. Abrasive cleaners and cloths could scratch finish of unit, marring its appearance and making it susceptible to soil accumulation.

Do not use steel wool for cleaning. Steel wool will scratch the finish.

Do not use harsh chemicals such as bleach, cleaners containing bleach, or oven cleaners to clean this unit.

Clean unit daily to avoid malfunctions and maintain sanitary operation.

Daily Cleaning

To preserve the finish of the heated well, perform the following cleaning procedure daily.

1. Move the Power I/O Switch (on/off) to the O (off) position, unplug the power cord, and allow the unit to cool.
2. Remove and wash any pans and adapters.
3. Remove water from the well if used for wet operation.
4. Wipe down the entire unit using a clean cloth or sponge and mild detergent.
5. Use a plastic scouring pad to remove any hardened food particles or mineral deposits.
6. Wipe the well thoroughly with a clean, damp cloth to remove all detergent residue. Rinse cloth and repeat, if necessary.
7. Wipe dry the entire unit using a non-abrasive, dry cloth.

Removing Lime and Mineral Deposits

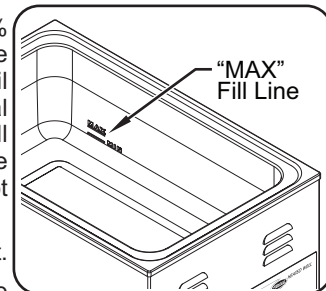
Use the following procedure for periodic cleaning and deliming of the heated well.

NOTE: The lime and mineral content of the water used for daily operation will determine how often the deliming procedure must be performed.

NOTE: Perform this procedure when the unit will not be used for a period of time, such as the end of the day.

1. Move the Power I/O Switch (on/off) to the O (off) position, unplug the power cord, and allow the unit to cool.
2. Remove and wash any pans and adapters.
3. Remove water from the well if used for wet operation.
4. Add a mixture of 75% water and 25% white vinegar to the well until solution is at normal operating level (“MAX” fill line) or covers the accumulated scale. Do not use flavored vinegar.
5. Plug in and turn on the unit.
6. Turn the Temperature Control fully clockwise to the HIGH position. Allow the unit to run for 30 minutes.
7. Move the Power I/O Switch (on/off) to the O (off) position, unplug the power cord, and cover the well.
8. Allow the solution to soak for at least one hour or overnight for heavy buildup.
9. Remove the water/cleaning solution from the well.
10. Scrub the well with a plastic scouring pad.
11. Wipe the well thoroughly with a clean, damp cloth to remove all residue. Rinse cloth and repeat, if necessary.
12. Wipe dry the entire unit using a non-abrasive, dry cloth.

NOTE: Heavy scale buildup may require additional treatments.



⚠ WARNING

This unit must be serviced by qualified personnel only. Service by unqualified personnel may lead to electric shock or burn.

⚠ WARNING

ELECTRIC SHOCK HAZARD: Turn OFF power switch, unplug power cord, and allow unit to cool before performing any cleaning, adjustments, or maintenance.

Symptom	Probable Cause	Corrective Action
Food well not hot enough.	Temperature Control set too low.	Adjust Temperature Control to a higher setting.
	Heating element not working.	Contact Authorized Service Agent or Hatco for assistance.
	Temperature Control not working properly.	Contact Authorized Service Agent or Hatco for assistance.
	Voltage supplied is incorrect.	Verify correct voltage is supplied to unit. Low supply voltage will cause improper heating.
Food well too hot.	Temperature Control set too high.	Adjust Temperature Control to a lower setting.
	Temperature Control not working properly.	Contact Authorized Service Agent or Hatco for assistance.
	Voltage supplied is incorrect.	Verify correct voltage is supplied to unit. High supply voltage will cause unit to overheat and may damage the unit.
No heat.	Unit turned off.	Turn on unit.
	Circuit breaker tripped.	Reset circuit breaker. If circuit breaker continues to trip, contact Authorized Service Agent or Hatco for assistance.
	Temperature Control not working properly.	Contact Authorized Service Agent or Hatco for assistance.
	Heating element not working.	Contact Authorized Service Agent or Hatco for assistance.
Food product not holding hot enough.	Well being operated as a dry unit.	Allow unit to cool and fill with the appropriate amount of water for wet operation. Wet operation promotes consistent hot food holding.

Troubleshooting Questions?

If you continue to have problems resolving an issue, please contact the nearest Authorized Hatco Service Agency or Hatco for assistance. To locate the nearest Service Agency, log onto the Hatco website at www.hatcocorp.com and click on *Find Service Agent*, or contact the **Hatco Parts and Service Team** at:

Telephone: 800-558-0607 or 414-671-6350

e-mail: partsandservice@hatcocorp.com

Fax: 800-690-2966 or 414-671-3976

OPTIONS AND ACCESSORIES

Food Pans

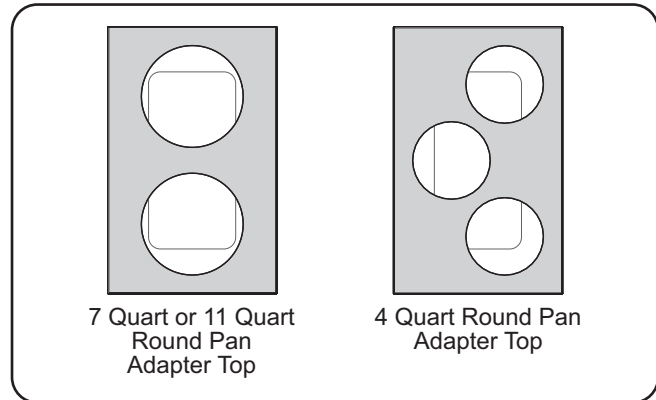
Stainless steel food pans are available in various sizes.

- ST PAN 1/3** Third-size stainless steel pan — 12-3/4"W x 6-7/8"D x 2-1/2"H (324 x 175 x 64 mm)
- ST PAN 1/2** Half-size stainless steel pan — 12-3/4"W x 10-3/8"D x 2-1/2"H (324 x 264 x 64 mm)
- ST PAN 2** Full size stainless steel pan at 2-1/2" (64 mm) deep — 12-3/4"W x 20-3/4"D (324 x 527 mm)
- ST PAN 4** Full size stainless steel pan at 4" (102 mm) deep — 12-3/4"W x 20-3/4"D (324 x 527 mm)
- 4QT-PAN** 4 quart (4 l) round pan — 6-3/4" dia x 8"H (171 x 203 mm)
- 7QT-PAN** 7 quart (7 l) round pan — 8-11/16" dia x 8"H (221 x 203 mm)
- 11QT-PAN** 11 quart (10 l) round pan — 12-1/4" dia x 8"H (311 x 203 mm)
- 4QT-LID-1** 4 quart (4 l) round, notched lid
- 7QT-LID-1** 7 quart (7 l) round, notched lid
- 11QT-LID-1** 11 quart (10 l) round, notched lid
- 4QT-LID** 4 quart (4 l) round, hinged and notched lid
- 7QT-LID** 7 quart (7 l) round, hinged and notched lid
- 11QT-LID** 11 quart (10 l) round, hinged and notched lid

Adapter Tops

The following adapter tops are available to allow rectangular heated wells to hold round pans.

- HW-3-4QT** Adapter to convert HW-FUL and CHW-FUL model heated wells to hold three 4-quart (4 l) round pans.
- HW-2-7QT** Adapter to convert HW-FUL and CHW-FUL model heated wells to hold two 7-quart (7 l) round pans.
- HW-2-11QT** Adapter to convert HW-43 and CHW-43 model heated wells to hold two 11-quart (10 l) round pans.

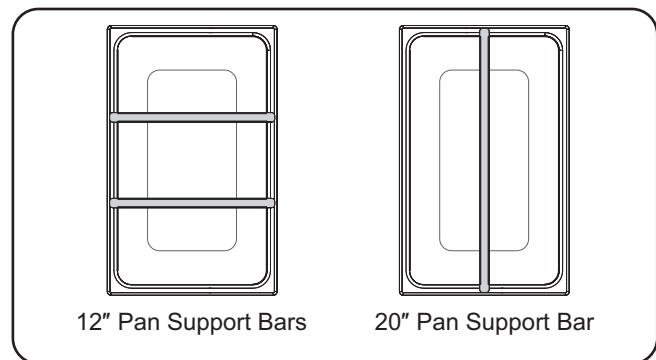


Adapter Tops

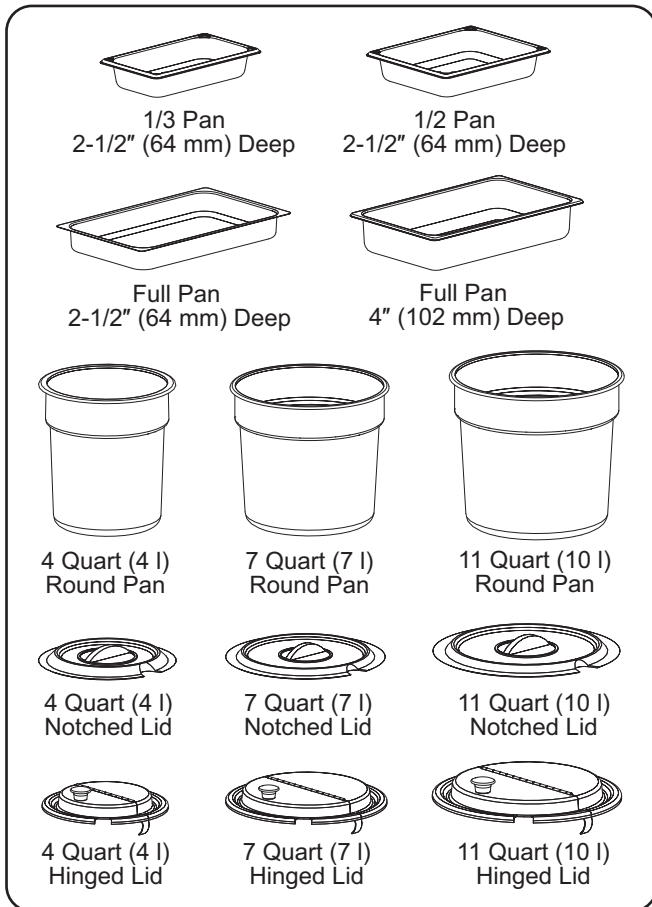
Pan Support Bars

The following pan support bars are available to divide a heated well into sections for different size pans.

- HW12BAR** 12" (305 mm) Pan Support Bar
- HW20BAR** 20" (508 mm) Pan Support Bar (HW-FUL and CHW-FUL models only)



Support Bars



Stainless Steel Food Pans

1. PRODUCT WARRANTY

Hatco warrants the products that it manufactures (the "Products") to be free from defects in materials and workmanship, under normal use and service, for a period of one (1) year from the date of purchase when installed and maintained in accordance with Hatco's written instructions or 18 months from the date of shipment from Hatco. Buyer must establish the Product's purchase date by registering the Product with Hatco or by other means satisfactory to Hatco in its sole discretion.

Hatco warrants the following Product components to be free from defects in materials and workmanship from the date of purchase (subject to the foregoing conditions) for the period(s) of time and on the conditions listed below:

- a) **One (1) Year Parts and Labor PLUS One (1) Additional Year Parts-Only Warranty:**
 - Conveyor Toaster Elements (metal sheathed)
 - Drawer Warmer Elements (metal sheathed)
 - Drawer Warmer Drawer Rollers and Slides
 - Strip Heater Elements (metal sheathed)
 - Display Warmer Elements (metal sheathed air heating)
 - Holding Cabinet Elements (metal sheathed air heating)
 - Heated Well Elements — HW and HWB Series (metal sheathed)
- b) **One (1) Year Parts and Labor PLUS Four (4) Years Parts-Only Warranty:**
 - 3CS and FR Tanks
- c) **One (1) Year Parts and Labor PLUS Nine (9) Years Parts-Only Warranty on:**
 - Electric Booster Heater Tanks
 - Gas Booster Heater Tanks
- d) **Ninety (90) Day Parts-Only Warranty:**
 - Replacement Parts

THE FOREGOING WARRANTIES ARE EXCLUSIVE AND IN LIEU OF ANY OTHER WARRANTY, EXPRESSED OR IMPLIED, INCLUDING BUT NOT LIMITED TO ANY IMPLIED WARRANTY OF MERCHANTABILITY OR FITNESS FOR A PARTICULAR PURPOSE OR PATENT OR OTHER INTELLECTUAL PROPERTY RIGHT INFRINGEMENT. Without limiting the generality of the foregoing, SUCH WARRANTIES DO NOT COVER: Coated incandescent light bulbs, fluorescent lights, heat lamp bulbs, coated halogen light bulbs, halogen heat lamp bulbs, xenon light bulbs, LED light tubes, glass components, and fuses; Product failure in booster tank, fin tube heat exchanger, or other water heating equipment caused by liming, sediment buildup, chemical attack, or freezing; or Product misuse, tampering or misapplication, improper installation, or application of improper voltage.

2. LIMITATION OF REMEDIES AND DAMAGES

Hatco's liability and Buyer's exclusive remedy hereunder will be limited solely, at Hatco's option, to repair or replacement using new or refurbished parts or Product by Hatco or a Hatco-authorized service agency (other than where Buyer is located outside of the United States, Canada, United Kingdom, or Australia, in which case Hatco's liability and Buyer's exclusive remedy hereunder will be limited solely to replacement of part under warranty) with respect to any claim made within the applicable warranty period referred to above. Hatco reserves the right to accept or reject any such claim in whole or in part. In the context of this Limited Warranty, "refurbished" means a part or Product that has been returned to its original specifications by Hatco or a Hatco-authorized service agency. Hatco will not accept the return of any Product without prior written approval from Hatco, and all such approved returns shall be made at Buyer's sole expense. HATCO WILL NOT BE LIABLE, UNDER ANY CIRCUMSTANCES, FOR CONSEQUENTIAL OR INCIDENTAL DAMAGES, INCLUDING BUT NOT LIMITED TO LABOR COSTS OR LOST PROFITS RESULTING FROM THE USE OF OR INABILITY TO USE THE PRODUCTS OR FROM THE PRODUCTS BEING INCORPORATED IN OR BECOMING A COMPONENT OF ANY OTHER PRODUCT OR GOODS.

Informations Importantes pour le Propriétaire	12	Mode d'emploi	17
Introduction	12	Généralités	17
Consignes de Sécurité Importantes	13	Maintenance	18
Description du Modèle	14	Généralités	18
Tous les modèles	14	Nettoyage quotidien	18
Désignation du Modèle	15	Retrait des dépôts de chaux et de minéraux	18
Caractéristiques Techniques	15	Guide de Dépannage	19
Configurations des fiches	15	Options et accessoires	20
Tableau des valeurs nominales électriques	15	Garantie Limitée	21
Dimensions	16	Autorisés Distributeurs de Pièces	Couverture Arrière
Installation	16		
Généralités	16		

INFORMATIONS IMPORTANTES POUR LE PROPRIÉTAIRE

Notez le numéro de modèle, le numéro de série, la tension et la date d'achat de l'appareil dans les espaces ci-dessous (étiquette des caractéristiques située à l'arrière de l'unité, près du cordon d'alimentation). Veuillez avoir cette information à portée de la main si vous appelez Hatco pour assistance.

Modèle No. _____

Numéro de série _____

Voltage _____

Date d'achat _____

Enregistrez votre appareil!

Remplissez la garantie en ligne pour éviter les retards pour faire jouer la garantie. Accédez au site Web Hatco www.hatcocorp.com, sélectionnez le menu déroulant Parts & Service, puis cliquez sur Warranty Registration.

Horaires

ouvrables: 8h00 à 17h00
Heure du Centre des États-Unis (CST)
(Horaires d'été : juin à septembre—
8h00 à 17h00 CST du lundi au jeudi
8h00 à 14h30 CST le vendredi)

Téléphone: 800-558-0607; 414-671-6350

Courriel: partsandservice@hatcocorp.com

Télécopieur: 800-690-2966 (Pièces et Service après-vente)
414-671-3976 (Internationale)



Service d'assistance et de pièces de rechange disponible 7j/7, 24h/24 aux États-Unis et au Canada en composant le 800-558-0607.

Des renseignements supplémentaires sont disponibles sur notre site Web à www.hatcocorp.com.

INTRODUCTION

Les puits chauffants pour comptoir d'Hatco sont spécialement conçus pour maintenir les aliments au chaud et/ou les réchauffer. Conçus pour des applications à sec ou avec de l'eau, les puits sont disponibles dans des configurations à deux bacs, tous chauffés grâce à un élément de chauffage durable garanti 2 ans. La chaleur est distribuée de manière égale à travers un élément en acier inoxydable épais pour s'assurer que la nourriture reste chaude. Ce modèle est facile d'entretien et offre des performances durables. La garantie d'un an pour les pièces ainsi que pour la main d'œuvre sur place est standard.

Les puits chauffants pour comptoir d'Hatco sont des produits qui ont bénéficié d'une recherche poussée et d'essais sur le terrain. Les matériaux utilisés ont été sélectionnés pour une durabilité maximale, une apparence séduisante et des performances optimales. Chaque unité est inspectée et testée minutieusement avant d'être expédiée.

Ce manuel fournit les instructions d'installation, de sécurité et de fonctionnement pour les puits chauffants pour comptoir. Hatco vous recommande de lire l'ensemble des instructions d'installation, de sécurité et de fonctionnement contenues dans ce manuel avant d'installer et d'utiliser l'appareil.

Les consignes de sécurité qui apparaissent dans ce manuel sont identifiées par les mots indicateurs suivants :

⚠ AVERTISSEMENT

AVERTISSEMENT indique une situation dangereuse qui, si elle n'est pas évitée, peut provoquer la mort ou des blessures graves.

⚠ ATTENTION

ATTENTION indique une situation dangereuse qui, si elle n'est pas évitée, peut provoquer des blessures légères ou moyennes.

AVIS

AVIS est utilisé pour des questions sans rapport avec des blessures corporelles.



Lisez l'information de sécurité importante suivante avant d'utiliser cet équipement pour éviter des dommages ou la mort sérieux et pour éviter d'endommager l'équipement ou la propriété.

⚠ AVERTISSEMENT

DANGER DE DÉCHARGE ÉLECTRIQUE:

- Brancher l'appareil sur une prise de courant avec terre de tension, de format et de configuration des broches corrects. Si la fiche et la prise ne se correspondent pas, s'adresser à un électricien qualifié pour déterminer et installer une prise de courant de format et de tension corrects.
- Mettez hors tension en utilisant l'interrupteur, débranchez le cordon d'alimentation et laissez l'unité refroidir avant d'effectuer tout nettoyage, tout réglage ou tout entretien.
- NE PAS immerger l'appareil ni le saturer d'eau. L'appareil n'est pas étanche à l'eau. Ne pas le faire fonctionner s'il a été immergé ou saturé d'eau.
- L'appareil n'est pas à l'épreuve des intempéries. Placer l'appareil à l'intérieur à une température ambiante de 21°C minimum.
- N'utilisez pas l'unité pour faire fondre ou conserver de la glace. Le non-respect de cette consigne peut causer de la condensation, créer un danger électrique et causer des blessures corporelles et/ou endommager l'unité. Les dommages causés par la condensation ne sont pas couverts par la garantie.
- Éteignez et débranchez l'unité lorsque vous la remplissez avec de l'eau. Essayez d'éviter les projections.
- Ne pas nettoyer l'appareil lorsqu'il est sous tension.
- Ne nettoyez pas l'unité à la vapeur et n'utilisez pas de l'eau en quantité excessive.
- L'appareil n'est pas résistant aux projections. N'utilisez pas de pulvérisation de jets nettoyants pour nettoyer l'appareil.
- Ne tirez pas l'unité par le cordon d'alimentation.
- Interrompez l'utilisation de l'unité si le cordon d'alimentation est effiloché ou usé.
- N'essayez jamais de réparer ou de remplacer un cordon d'alimentation endommagé. Celui-ci devra être remplacé par un agent de service agréé par Hatco ou une personne possédant des qualifications similaires.
- Cette unité doit être entretenue uniquement par des personnes qualifiées. Un entretien réalisé par des personnes non-qualifiées peut entraîner des décharges électriques ou provoquer des brûlures.
- Utilisez uniquement des pièces de rechange d'origine Hatco lorsque l'entretien est nécessaire. Utilisez des pièces détachées Hatco authentiques sous peine d'annuler toutes les garanties et d'exposer l'utilisateur à des tensions électriques dangereuses pouvant entraîner une électrocution ou des brûlures. Les pièces de rechange authentiques Hatco sont spécifiées pour fonctionner en toute sécurité dans les environnements dans lesquels elles sont utilisées. Certaines pièces de rechange génériques ou d'après-vente n'ont pas les caractéristiques qui leur permettent d'opérer en toute sécurité dans les équipements Hatco.

DANGER D'INCENDIE:

- Placez l'unité à au moins 25 mm (1") de murs ou de matières inflammables. Si ces distances de sécurité ne sont pas respectées, une décoloration ou une combustion peut se produire.
- N'utilisez pas de nettoyant inflammable pour nettoyer cette unité.

⚠ AVERTISSEMENT

Assurez-vous que tous les opérateurs ont été formés à l'utilisation sûre et correcte de l'appareil.

N'utilisez PAS l'appareil pour réchauffer les aliments lorsqu'il contient des aliments chauds.

Cet appareil ne doit pas être utilisé par des enfants ou des personnes avec des capacités physiques, sensorielles ou mentales diminuées. Assurez-vous que les enfants sont bien surveillés et tenez-les à l'écart de l'appareil.

Assurez-vous que la nourriture a été chauffée à une température adaptée à une alimentation saine. Le non-chauffage et la non-conservation des aliments à une température appropriée peuvent provoquer des risques importants pour la santé.

Hatco Corporation n'est pas responsable de la température réelle à laquelle les aliments sont servis. Il est de la responsabilité de l'utilisateur de s'assurer que la nourriture est conservée et servie à une température sans danger.

Cet appareil ne contient aucune pièce réparable par l'utilisateur. Si cet appareil doit être réparé, contacter un réparateur Hatco agréé ou le Service après-vente Hatco au +1 800-558-0607 ou +1 414-671-6350 ; télécopieur +1 800-690-2966; télécopieur internationale +1 414-671-3976.

⚠ ATTENTION

DANGER DE BRÛLURE :

- Certaines surfaces extérieures de l'appareil deviennent chaudes. Toucher ces zones de l'appareil avec précaution.
- L'eau chaude contenue dans l'unité peut causer des brûlures. Laissez l'unité refroidir avant de la vider ou de la nettoyer.

Placer l'appareil sur un plan de travail de hauteur correcte à un endroit qui convient pour son utilisation. Le support doit être de niveau pour éviter toute chute accidentelle du grille-pain ou de son contenu et suffisamment solide pour résister au poids de l'appareil et de son contenu.

Ne déplacez pas et ne bougez pas l'unité si elle contient des aliments. Arrêtez l'unité, retirez les aliments et laissez l'unité refroidir complètement avant de la déplacer ou de la nettoyer.

AVIS

Les graisses standard et approuvées utilisées lors de la fabrication peuvent provoquer des fumées au cours du démarrage initial pendant 30 minutes. Il s'agit d'un état temporaire. Utilisez l'appareil sans produit alimentaire jusqu'à ce que la fumée disparaisse.

Ne pas utiliser l'appareil à un endroit exposé à des températures excessives ou de la graisse de grils, friteuses, etc. Les températures excessives risquent d'abîmer l'appareil.

L'unité est conçue et recommandée pour fonctionner encastrée ou posée sur un comptoir en métal. Pour les autres surfaces, vérifiez auprès de leurs fabricants que le matériau peut supporter de façon durable des températures atteignant 93 °C (200 °F). Les dommages à toute partie du comptoir causés par la chaleur générée par l'équipement de Hatco ne sont pas couverts par la garantie de Hatco.

AVIS

Laissez l'unité refroidir jusqu'à ce qu'elle ait atteint la température ambiante avant de passer d'une utilisation à eau vers une utilisation à sec et vice versa. Laisser l'unité fonctionner « à sec » ou ajouter de l'eau lorsqu'elle est en position « à eau » endommagera l'unité.

Utiliser seulement des nettoyeurs non abrasifs et des chiffons doux. Les chiffons et nettoyeur abrasifs pourraient érafler la finition de l'unité, entachant son apparence et la rendant susceptible à l'accumulation de saleté.

AVIS

N'utilisez pas de paille de fer pour le nettoyage. La paille de fer raye les finitions.

Ne pas utiliser de produits chimiques puissants tels que de l'eau de Javel (ou des nettoyeurs contenant de l'eau de Javel), des nettoyeurs pour four pour nettoyer cet appareil. Les dommages causés par des produits chimiques ne sont pas couverts par la garantie.

Nettoyez l'unité quotidiennement pour éviter les dysfonctionnements et assurer un fonctionnement sain.

DESCRIPTION DU MODÈLE

Tous les modèles

Toutes les unités de puits chauffants pour comptoir sont fiables et polyvalentes. Les unités disposent d'un boîtier en acier inoxydable et en acier aluminé avec un élément chauffant possédant une gaine de métal qui est disponible en puissance standard ou élevée. Elles disposent d'un interrupteur d'alimentation I/O, d'une commande de température, d'un voyant indicateur « sec » et d'un cordon d'alimentation d'1,83 m (6').

Tous les modèles CHW-XXX sont des unités de grande puissance capables de réchauffer une grande variété d'aliments.

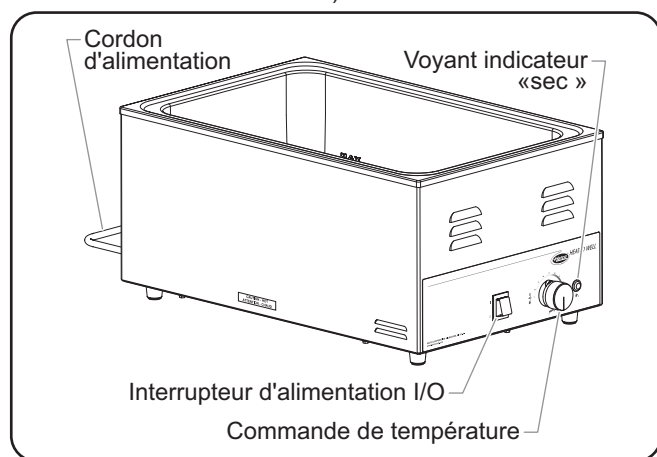
Les puits chauffants pour comptoir existent en acier inoxydable (version standard) et sont conçus, fabriqués et testés pour conserver les aliments à une température sans danger.

Modèles HW-FUL et CHW-FUL

Les modèles HW-FUL et CHW-FUL peuvent contenir toute une gamme de combinaisons de bacs, listée ci-dessous. Ces modèles sont conçus pour être placés sur un comptoir non-combustible.

- Un bac de grande taille.
- Trois bacs de petite taille avec des barres d'adaptation.
- Deux bacs de taille moyenne avec des barres d'adaptation.

Les bacs et les barres d'adaptation sont vendus séparément (Pour plus de détails, veuillez vous reporter à la section OPTIONS ET ACCESSOIRES).



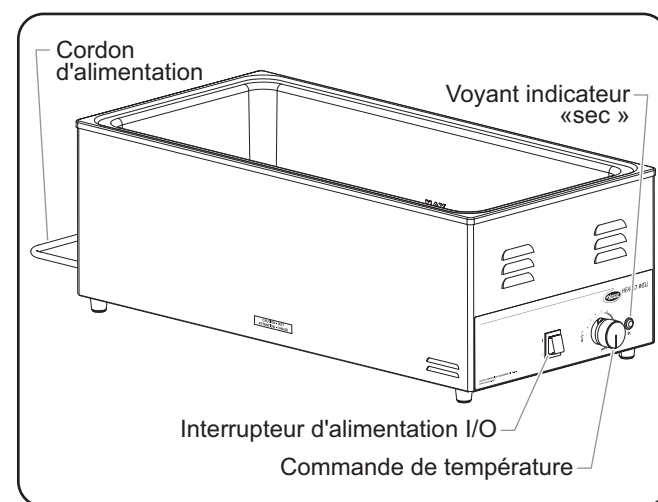
Puits chauffants pour comptoir HW-FUL et CHW-FUL (illustration du modèle HW-FUL)

Modèles HW-43 et CHW-43

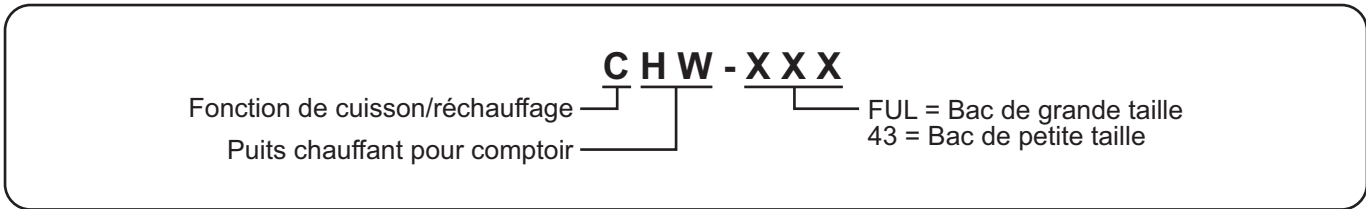
Les modèles HW-43 et CHW-43 peuvent contenir toute une gamme de combinaisons de bacs, listée ci-dessous. Ces modèles sont conçus pour être placés sur un comptoir non-combustible.

- Un bac de grande taille et un bac de petite taille avec des barres d'adaptation.
- Quatre bacs de petite taille avec des barres d'adaptation.
- Deux bacs de taille moyenne et un bac de petite taille avec des barres d'adaptation.

Les bacs et les barres d'adaptation sont vendus séparément (Pour plus de détails, veuillez vous reporter à la section OPTIONS ET ACCESSOIRES).



Puits chauffants pour comptoir HW-43 et CHW-43 (modèle HW-43 illustré)



CARACTÉRISTIQUES TECHNIQUES

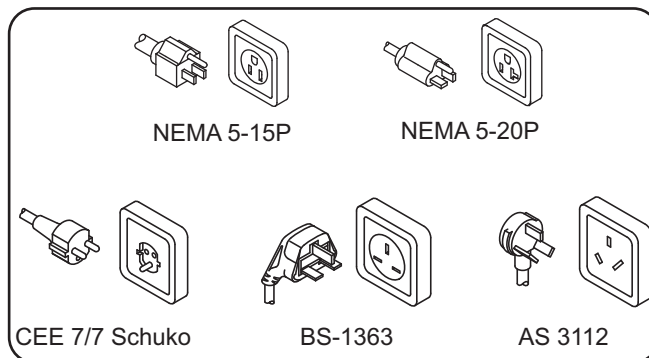
Configurations des fiches

Les unités sont fournies par l'usine avec un cordon et une prise électriques déjà installés. Les fiches fournies correspondent à leur application.

⚠ AVERTISSEMENT

DANGER DE DÉCHARGE ÉLECTRIQUE: Brancher l'appareil sur une prise de courant avec terre de tension, de format et de configuration des broches corrects. Si la fiche et la prise ne se correspondent pas, s'adresser à un électricien qualifié pour déterminer et installer une prise de courant de format et de tension corrects.

NOTA: L'étiquette de caractéristiques se trouve à l'arrière de l'unité, près du cordon d'alimentation. Veuillez vous reporter à l'étiquette du numéro de série et des données électriques de l'appareil.



NOTA: Prise non fournie par Hatco.

Tableau des valeurs nominales électriques

Modèle	Tension	Intensité	Amps	Phase	Configuration de Fiches	Poids d'embarquement
HW-FUL	120	1200	10	1	NEMA 5-15P	27 lbs. (12 kg)
	230	1200	5.2	1	CEE 7/7 Schuko, BS-1363, or AS 3112	27 lbs. (12 kg)
CHW-FUL	120	1440	12	1	NEMA 5-15P*	28 lbs. (13 kg)
HW-43	120	1200	10	1	NEMA 5-15P	33 lbs. (15 kg)
CHW-43	120	1800	15	1	NEMA 5-15P*	33 lbs. (15 kg)

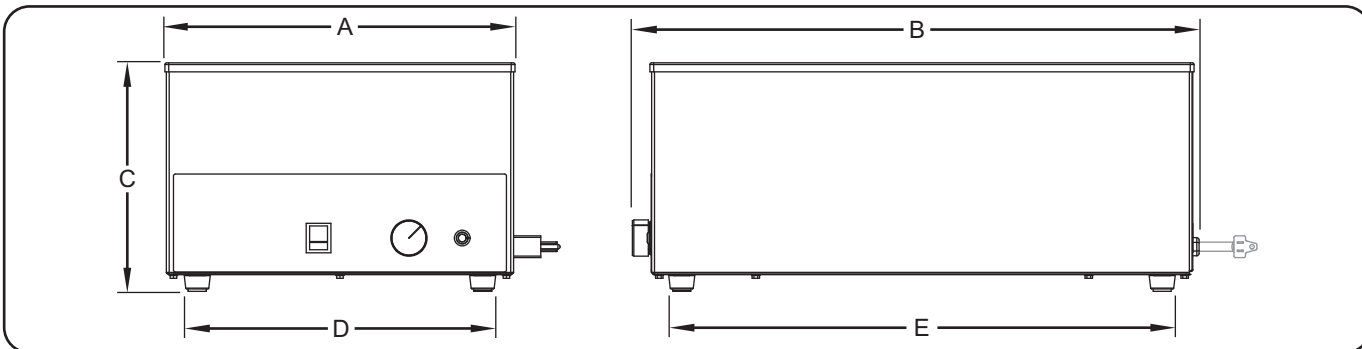
Les zones grisées contiennent des informations électriques pour les modèles internationaux uniquement.

* NEMA 5-20P pour le Canada.

NOTA: Le poids d'embarquement comprend le matériel d'emballage.

Dimensions

Modèle	Largeur (A)	Profondeur (B)	Hauteur (C)	Largeur d'encombrement (D)	Profondeur d'encombrement (E)
HW-FUL	14-5/8" (370 mm)	23-15/16" (607 mm)	9-3/4" (248 mm)	12-1/2" (317 mm)	20-7/16" (519 mm)
CHW-FUL	14-5/8" (370 mm)	23-15/16" (607 mm)	10-3/4" (273 mm)	12-1/2" (317 mm)	20-7/16" (519 mm)
HW-43	14-1/2" (368 mm)	30-15/16" (785 mm)	9-11/16" (245 mm)	13-5/16" (337 mm)	28" (710 mm)
CHW-43	14-1/2" (368 mm)	30-15/16" (785 mm)	10-11/16" (270 mm)	13-5/16" (337 mm)	28" (710 mm)



INSTALLATION

Généralités

Les unités de puits chauffants pour comptoir sont fournies par l'usine avec tous les composants assemblés et prêts à l'emploi. Respectez la procédure suivante pour installer l'unité.

AVERTISSEMENT

DANGER DE DÉCHARGE ÉLECTRIQUE:

- Brancher l'appareil sur une prise de courant avec terre de tension, de format et de configuration des broches corrects. Si la fiche et la prise ne se correspondent pas, s'adresser à un électricien qualifié pour déterminer et installer une prise de courant de format et de tension corrects.
- L'appareil n'est pas à l'épreuve des intempéries. Placer l'appareil à l'intérieur à une température ambiante de 21°C minimum.

DANGER D'INCENDIE: Placez l'unité à au moins 25 mm (1") de murs ou de matières inflammables. Si ces distances de sécurité ne sont pas respectées, une décoloration ou une combustion peut se produire.

ATTENTION

Placer l'appareil sur un plan de travail de hauteur correcte à un endroit qui convient pour son utilisation. Le support doit être de niveau pour éviter toute chute accidentelle du grille-pain ou de son contenu et suffisamment solide pour résister au poids de l'appareil et de son contenu.

AVIS

Ne pas utiliser l'appareil à un endroit exposé à des températures excessives ou de la graisse de grils, friteuses, etc. Les températures excessives risquent d'abîmer l'appareil.

AVIS

L'unité est conçue et recommandée pour fonctionner encastrée ou posée sur un comptoir en métal. Pour les autres surfaces, vérifiez auprès de leurs fabricants que le matériau peut supporter de façon durable des températures atteignant 93 °C (200 °F). Les dommages à toute partie du comptoir causés par la chaleur générée par l'équipement de Hatco ne sont pas couverts par la garantie de Hatco.

1. Retirez l'appareil du carton de livraison et retirez tous les éléments d'emballage

NOTA: Pour éviter des retards dans l'obtention de la couverture de la garantie, complétez l'enregistrement en ligne de votre garantie. Lisez la section INFORMATIONS IMPORTANTES POUR LE PROPRIÉTAIRE pour plus de détails.

2. Retirez le ruban et l'emballage de protection de toutes les surfaces de l'appareil.
3. Placer l'appareil à l'endroit souhaité.
 - Placez l'unité dans une zone dont la température ambiante est constante 21°C minimum (70°F). Évitez les endroits susceptibles d'activer les mouvements ou les courants d'air (proximité des ventilateurs ou hottes d'évacuation et conduites de climatisation).
 - S'assurer que l'appareil est sur un plan de travail de hauteur correcte à un endroit qui convient pour son utilisation.
 - Veillez à ce que le comptoir soit plat et assez résistant pour supporter le poids de l'unité et des produits alimentaires.
 - Veuillez vous assurer que tous les pieds en dessous de l'unité sont fermement positionnés sur le comptoir.
4. Installez les accessoires qui accompagnent l'unité. Consultez la section OPTIONS ET ACCESSOIRES pour plus d'informations.

Généralités

Veillez suivre les procédures suivantes pour faire fonctionner un puits chauffant pour comptoir.

⚠ AVERTISSEMENT

Lire tous les messages de sécurité de la section Consignes de sécurité importantes avant d'utiliser ce matériel.

DANGER DE DÉCHARGE ÉLECTRIQUE:

- N'utilisez pas l'unité pour faire fondre ou conserver de la glace. Le non-respect de cette consigne peut causer de la condensation, créer un danger électrique et causer des blessures corporelles et/ou endommager l'unité. Les dommages causés par la condensation ne sont pas couverts par la garantie.
- Éteignez et débranchez l'unité lorsque vous la remplissez avec de l'eau. Essayez d'éviter les projections.

N'utilisez PAS l'appareil pour réchauffer les aliments lorsqu'il contient des aliments chauds.

AVIS

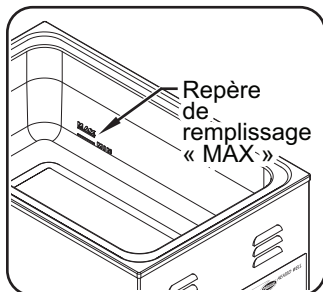
Les graisses standard et approuvées utilisées lors de la fabrication peuvent provoquer des fumées au cours du démarrage initial pendant 30 minutes. Il s'agit d'un état temporaire. Utilisez l'appareil sans produit alimentaire jusqu'à ce que la fumée disparaisse.

Laissez l'unité refroidir jusqu'à ce qu'elle ait atteint la température ambiante avant de passer d'une utilisation à eau vers une utilisation à sec et vice versa. Laissez l'unité fonctionner « à sec » ou ajouter de l'eau lorsqu'elle est en position « à eau » endommagera l'unité.

Les puits chauffants pour comptoir d'Hatco sont conçus pour un fonctionnement À EAU ou À SEC. Hatco recommande un fonctionnement « à eau » pour un chauffage constant des aliments. Si l'unité fonctionne en mode « à eau » mais qu'elle peut également passer en mode « à sec », éteignez-la et laissez-la refroidir avant d'y ajouter de l'eau.

Démarrage

1. Si vous utilisez le puits en mode « à eau », remplissez le puits avec de l'eau **CHAUDE** du robinet jusqu'au repère de remplissage « MAX » situé à l'intérieur du puits.



2. Branchez l'appareil à une prise correctement reliée à la terre et possédant la tension, la dimension et la configuration adéquates. Consultez la section CARACTÉRISTIQUES pour obtenir plus de détails.

⚠ ATTENTION

DANGER DE BRÛLURE: Certaines surfaces extérieures de l'appareil deviennent chaudes. Toucher ces zones de l'appareil avec précaution.

3. Placez l'interrupteur d'alimentation I/O (marche/arrêt) sur I (marche). Le témoin lumineux de l'interrupteur s'allume lorsque l'unité est en marche.
4. Tournez la commande de la température pour choisir le réglage de température adapté à une alimentation saine.
 - Tournez la commande de la température vers « 7 » pour augmenter la température.
 - Tournez la commande de la température dans le sens contraire des aiguilles d'une montre vers « 1 » pour baisser la température.
5. Placez un bac vide dans le puits chauffant et laissez le puits préchauffer pendant environ 30 minutes.

Réchauffage des aliments (Modèles CHW-FUL et CHW-43 uniquement)

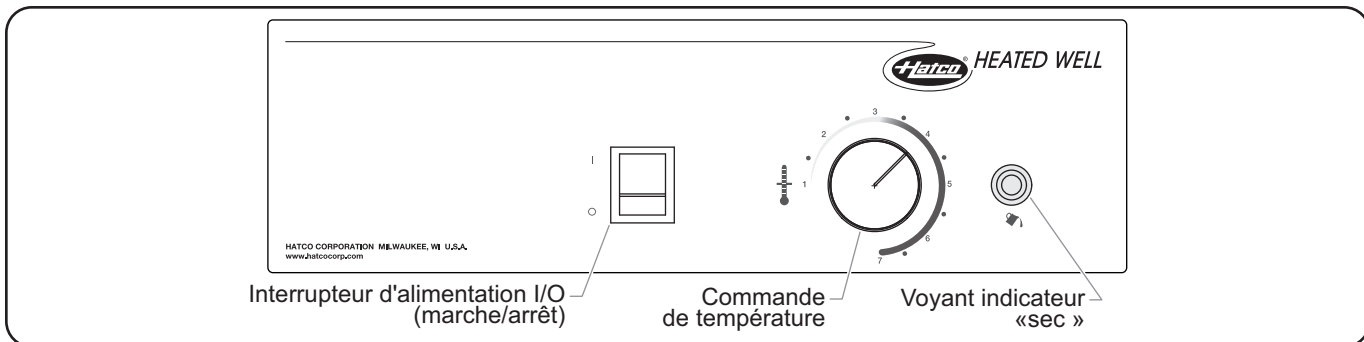
Placez le/les bac(s) de nourriture approprié(s) dans l'ouverture de l'unité.

- Utilisez toujours le fonctionnement à eau lorsque vous réchauffez des aliments.
- Utilisez toujours un bac alimentaire. Ne placez pas les aliments directement dans la partie chauffante.
- Remuez fréquemment les aliments plus consistants afin de répartir la chaleur de manière uniforme.
- Gardez le couvercle sur les bacs afin de conserver la qualité et la température des aliments.
- Vérifiez le niveau d'eau à l'intérieur du puits. Remplissez à niveau le puits lorsque le niveau d'eau atteint le repère « MIN » à l'intérieur du puits.

NOTA: Le voyant indicateur « sec » s'allume lorsque le puits fonctionne à sec. Éteignez l'unité, laissez-la refroidir et remplissez le puits d'eau chaude jusqu'au repère « MAX ».

Arrêt

1. Placez l'interrupteur d'alimentation I/O (marche/arrêt) sur O (arrêt). Le voyant indicateur de l'interrupteur s'éteindra.



Panneau de contrôle des modèles HW et CHW

Généralités

Les puits chauffants pour comptoir d'Hatco sont conçus pour une durabilité et des performances maximales avec un minimum d'entretien.

⚠ AVERTISSEMENT

DANGER DE DÉCHARGE ÉLECTRIQUE:

- Mettez hors tension en utilisant l'interrupteur, débranchez le cordon d'alimentation et laissez l'unité refroidir avant d'effectuer tout nettoyage, tout réglage ou tout entretien.
- **NE PAS immerger l'appareil ni le saturer d'eau. L'appareil n'est pas étanche à l'eau. Ne pas le faire fonctionner s'il a été immergé ou saturé d'eau.**
- Ne pas nettoyer l'appareil lorsqu'il est sous tension.
- Ne nettoyez pas l'unité à la vapeur et n'utilisez pas de l'eau en quantité excessive.
- L'appareil n'est pas résistant aux projections. N'utilisez pas de pulvérisation de jets nettoyeurs pour nettoyer l'appareil.
- Cette unité doit être entretenue uniquement par des personnes qualifiées. Un entretien réalisé par des personnes non-qualifiées peut entraîner des décharges électriques ou provoquer des brûlures.
- Utilisez uniquement des pièces de rechange d'origine Hatco lorsque l'entretien est nécessaire. Utilisez des pièces détachées Hatco authentiques sous peine d'annuler toutes les garanties et d'exposer l'utilisateur à des tensions électriques dangereuses pouvant entraîner une électrocution ou des brûlures. Les pièces de rechange authentiques Hatco sont spécifiées pour fonctionner en toute sécurité dans les environnements dans lesquels elles sont utilisées. Certaines pièces de rechange génériques ou d'après-vente n'ont pas les caractéristiques qui leur permettent d'opérer en toute sécurité dans les équipements Hatco. **FIRE HAZARD: Do not use flammable cleaning solutions to clean this unit.**

Cet appareil ne contient aucune pièce réparable par l'utilisateur. Si cet appareil doit être réparé, contacter un réparateur Hatco agréé ou le Service après-vente Hatco au +1 800-558-0607 ou +1 414-671-6350 ; télécopieur +1 800-690-2966; télécopieur internationale +1 414-671-3976.

⚠ ATTENTION

DANGER DE BRÛLURE: L'eau chaude contenue dans l'unité peut causer des brûlures. Laissez l'unité refroidir avant de la vider ou de la nettoyer.

Ne déplacez pas et ne bougez pas l'unité si elle contient des aliments. Arrêtez l'unité, retirez les aliments et laissez l'unité refroidir complètement avant de la déplacer ou de la nettoyer.

AVIS

Utiliser seulement des nettoyeurs non abrasifs et des chiffons doux. Les chiffons et nettoyeur abrasifs pourraient érafler la finition de l'unité, entachant son apparence et la rendant susceptible à l'accumulation de saleté.

N'utilisez pas de paille de fer pour le nettoyage. La paille de fer raye les finitions.

AVIS

Ne pas utiliser de produits chimiques puissants tels que de l'eau de Javel (ou des nettoyeurs contenant de l'eau de Javel), des nettoyeurs pour four pour nettoyer cet appareil. Les dommages causés par des produits chimiques ne sont pas couverts par la garantie.

Nettoyez l'unité quotidiennement pour éviter les dysfonctionnements et assurer un fonctionnement sain.

Nettoyage quotidien

Pour préserver les finitions des puits, suivez quotidiennement les procédures de nettoyage suivantes.

1. Placez l'interrupteur d'alimentation I/O (marche/arrêt) sur la position O (arrêt), débranchez le cordon d'alimentation et laissez l'unité refroidir.
2. Retirez et lavez tous les bacs et tous les adaptateurs.
3. Retirez l'eau du puits s'il a été utilisé en mode « à eau ».
4. Essuyez l'intégralité de l'unité à l'aide d'un chiffon ou d'une éponge propre et d'un détergent doux.
5. Servez-vous d'une éponge à récurer en plastique pour retirer toute particule solide de nourriture ou dépôt de minéraux.
6. Essuyez soigneusement le puits à l'aide d'un chiffon propre et humide jusqu'à ce qu'il n'y ait plus aucune trace de détergent. Rincez le chiffon et répétez l'opération le cas échéant.
7. Essuyez l'intégralité de l'unité en utilisant un chiffon doux et sec.

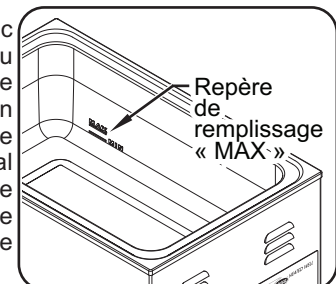
Retrait des dépôts de chaux et de minéraux

Observez la procédure suivante pour le nettoyage et le détartrage périodiques du puits chauffant.

NOTA: La concentration en chaux et en minéraux de l'eau utilisée quotidiennement pour le fonctionnement de l'unité déterminera la fréquence de détartrage.

NOTA: Réalisez cette opération lorsque l'unité ne doit pas être utilisée pendant un certain temps (en fin de journée, par exemple).

1. Placez l'interrupteur d'alimentation I/O (marche/arrêt) sur la position O (arrêt), débranchez le cordon d'alimentation et laissez l'unité refroidir.
2. Retirez et lavez tous les bacs et tous les adaptateurs.
3. Retirez l'eau du puits s'il a été utilisé en mode « à eau ».
4. Remplissez le puits avec un mélange de 75 % d'eau et de 25 % de vinaigre blanc jusqu'à ce la solution atteigne le niveau de fonctionnement normal (repère « MAX ») ou qu'elle recouvre le dépôt de calcaire. N'utilisez pas de vinaigre parfumé.
5. Branchez l'unité et mettez-la en marche.



6. Tournez entièrement la commande de température dans le sens des aiguilles d'une montre jusqu'à la position HIGH. Laissez l'unité fonctionner pendant 30 minutes.
7. Placez l'interrupteur d'alimentation I/O (marche/arrêt) sur la position O (arrêt), débranchez le cordon d'alimentation et couvrez le puits.
8. Laissez la solution agir pendant au moins une heure, voire toute une nuit pour les accumulations importantes.
9. Vidangez l'eau/la solution de nettoyage présente dans le puits.

10. Frottez le puits avec une éponge à récurer en plastique.
11. Essuyez soigneusement le puits à l'aide d'un chiffon propre et humide jusqu'à ce qu'il n'y ait plus aucune trace de détergent. Rincez le chiffon et répétez l'opération le cas échéant.
12. Essuyez l'intégralité de l'unité en utilisant un chiffon doux et sec.

NOTA: Une accumulation importante de calcaire peut nécessiter des traitements supplémentaires.

GUIDE DE DÉPANNAGE

AVERTISSEMENT

La réparation de cet appareil doit être confiée exclusivement à du personnel qualifié. Les réparations par des personnes non qualifiées peuvent provoquer des décharges électriques et des brûlures.

AVERTISSEMENT

DANGER DE DÉCHARGE ÉLECTRIQUE: Mettez hors tension en utilisant l'interrupteur, débranchez le cordon d'alimentation et laissez l'unité refroidir avant d'effectuer tout nettoyage, tout réglage ou tout entretien.

Symptômes	Causes Probables	Action Correctrice
Le puits n'est pas suffisamment chaud.	Thermostat réglé trop bas.	Montez le thermostat.
	Les éléments chauffants ne fonctionnent pas.	Contactez votre agent de maintenance agréé ou Hatco pour toute demande d'assistance.
	Le thermostat ne fonctionne pas correctement.	Contactez votre agent de maintenance agréé ou Hatco pour toute demande d'assistance.
	La puissance fournie est incorrecte.	Vérifiez qu'une puissance appropriée est fournie à l'unité. Une puissance trop faible cause un chauffage inapproprié.
Le puits est trop chaud.	Thermostat réglé trop haut.	Baissez le thermostat.
	Le thermostat ne fonctionne pas correctement.	Contactez votre agent de maintenance agréé ou Hatco pour toute demande d'assistance.
	La puissance fournie est incorrecte.	Vérifiez qu'une puissance appropriée est fournie à l'unité. Une puissance trop forte entraînera à une surchauffe et peut endommager l'unité.
Pas de chaleur.	Alimentation coupée.	Allumez l'unité.
	Le coupe-circuit a disjoncté.	Réinitialisez le disjoncteur. Si le coupe-circuit continue de disjoncter, contactez un agent de service agréé ou Hatco pour obtenir une assistance.
	Le thermostat ne fonctionne pas correctement.	Contactez votre agent de maintenance agréé ou Hatco pour toute demande d'assistance.
	Les éléments chauffants ne fonctionnent pas.	Contactez votre agent de maintenance agréé ou Hatco pour toute demande d'assistance.
Les aliments ne sont pas conservés à une température suffisante.	Le puits fonctionne en mode « à sec ».	Éteignez l'unité, laissez-la refroidir et remplissez-la avec la quantité d'eau appropriée pour un fonctionnement en mode « à eau ». Un fonctionnement avec de l'eau favorise une chaleur constante pour la conservation des aliments.

Vous avez des questions en ce qui concerne les pannes ?

Si le problème persiste, veuillez contacter l'agence d'entretien agréée Hatco la plus proche ou Hatco pour obtenir une assistance. Pour trouver l'agence d'entretien la plus proche, rendez-vous sur le site Internet de Hatco (www.hatcocorp.com) et cliquez sur Trouver un agent d'entretien, ou contactez **l'équipe d'entretien et de pièces détachées de Hatco** :

Numéro de

téléphone: 800-558-0607 ou 414-671-6350

Courriel: partsandservice@hatcocorp.com

Télécopie: 800-690-2966 ou 414-671-3976

Bacs alimentaires

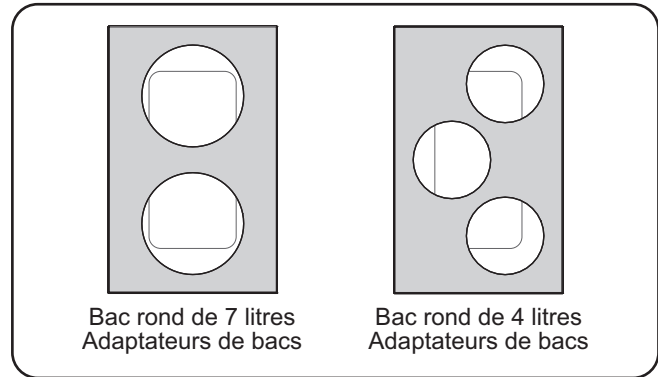
Des bacs en acier inoxydable sont disponibles en différentes tailles.

- ST PAN 1/3**Bac en acier inoxydable format 1/3 — 324L x 175P x 64H mm (12-3/4 x 6-7/8 x 2-1/2")
- ST PAN 1/2**Bac en acier inoxydable format 1/2 — 324L x 264P x 64H mm (12-3/4 x 10-3/8 x 2-1/2")
- ST PAN 2**Bac en acier inoxydable grande format de 64 mm (2-1/2") de profondeur — 324L x 527P x 64H mm (12-3/4 x 20-3/4 x 2-1/2")
- ST PAN 4**Bac en acier inoxydable grande format de 102 mm (4") de profondeur — 324L x 527P x 102H mm (12-3/4 x 20-3/4 x 4")
- 4QT-PAN**Bac rond de 4 litres — 171 dia. x 203H mm (6-3/4 x 8")
- 7QT-PAN**Bac rond de 7 litres — 221 dia. x 203 H mm (8-11/16 x 8")
- 11QT-PAN**Bac rond de 10 litres — 311 dia. x 203 H mm (12-1/4" x 8")
- 4QT-LID-1**Bac rond de 4 litres, couvercle cranté
- 7QT-LID-1**Bac rond de 7 litres, couvercle cranté
- 11QT-LID-1**Bac rond de 10 litres, couvercle cranté
- 4QT-LID**Bac rond de 4 litres, couvercle pivotant et cranté
- 7QT-LID**Bac rond de 7 litres, couvercle pivotant et cranté
- 11QT-LID**Bac rond de 10 litres, couvercle pivotant et cranté

Adaptateurs de bacs

Des adaptateurs sont disponibles pour permettre à des puits chauffants rectangulaires de contenir des bacs ronds.

- HW-3-4QT**Adaptateur pour que les séries de puits chauffants HW-FUL et CHW-FUL puissent accueillir trois bacs ronds de 4 litres.
- HW-2-7QT**Adaptateur pour que les séries de puits chauffants HW-FUL et CHW-FUL puissent accueillir deux bacs ronds de 7 litres.
- HW-2-11QT**Adaptateur pour que les séries de puits chauffants HW-43 et CHW-43 puissent accueillir deux bacs ronds de 10 litres.

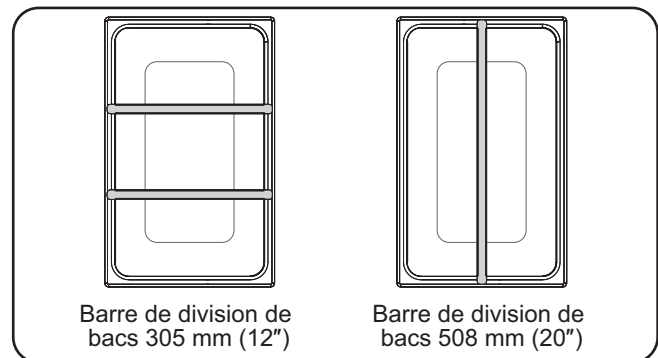


Adaptateurs de bacs

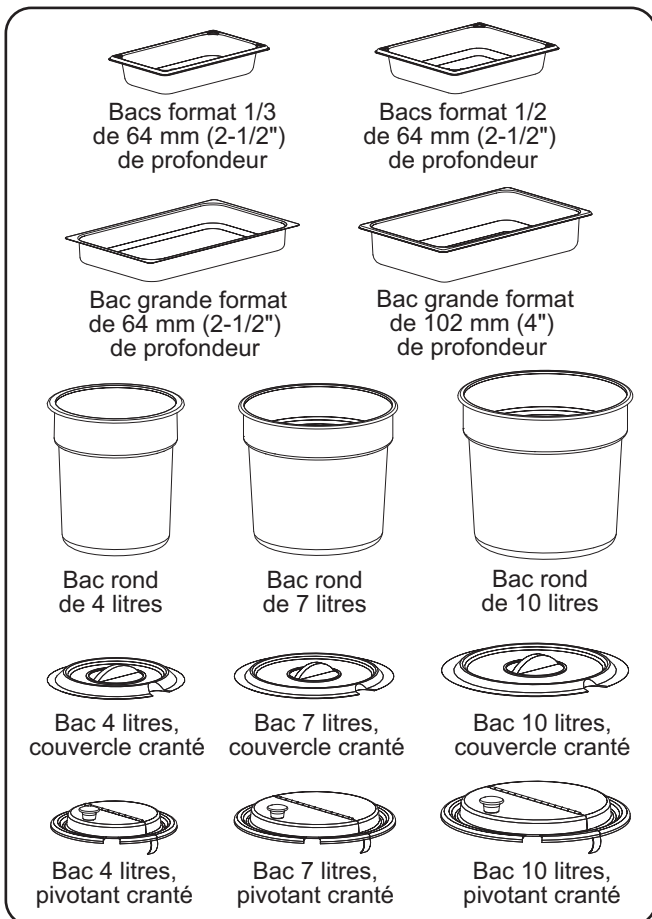
Barres de division de bacs

Les barres de division de bacs suivantes sont disponibles pour diviser un puits chauffant en sections et s'adaptent sur des bacs de tailles différentes.

- HW12BAR**.....Barre de division de bacs 305 mm (12")
- HW20BAR**.....Barre de division de bacs 508 mm (20") (série HW-FUL et CHW-FUL uniquement)



Barres de division de bacs



Bacs en acier inoxydable

1. GARANTIE DU PRODUIT

Hatco garantit que les produits qu'il fabrique (les « Produits ») sont exempts de défauts de matériel et de fabrication, dans des conditions normales d'utilisation et de maintenance, pour une période d'un (1) an à partir de la date d'achat à condition que l'appareil soit installé et entretenu conformément aux instructions écrites de Hatco ou 18 mois après la date de l'expédition par Hatco. L'acheteur doit prouver la date d'achat du Produit par l'enregistrement du produit auprès de Hatco ou par d'autres moyens satisfaisants pour Hatco, à sa seule discrétion.

Hatco garantit que les composants du Produit suivants sont exempts de défauts de matériel et de fabrication à partir de la date d'achat (sous réserve des conditions précédentes) pour la ou les périodes de temps et en fonction des conditions listées ci-dessous :

a) Garantie d'un (1) an pour les pièces et la main-d'œuvre PLUS un an (1) supplémentaire pour les pièces uniquement :

Éléments du grille-pain à convoyeur (enveloppe métallique)
 Éléments des tiroirs chauffants (enveloppe métallique)
 Tiroirs, roues et glissières des tiroirs chauffants
 Éléments des rampes chauffantes (enveloppe métallique)
 Éléments des vitrines chauffantes
 (enveloppe métallique, air chauffant)
 Éléments des armoires de stockage
 (enveloppe métallique, air chauffant)
 Éléments des compartiments chauffants —
 série HW et HWB (enveloppe métallique)

b) Garantie d'un (1) an pour les pièces et la main-d'œuvre PLUS quatre (4) ans pour les pièces uniquement :

Cuves 3CS et FR

c) Garantie d'un (1) an pour les pièces et la main-d'œuvre PLUS neuf (9) ans pour les pièces uniquement :

Cuves des appareils de chauffage d'appoint électriques
 Cuves des appareils de chauffage d'appoint à gaz

d) Garantie de quatre-vingt-dix (90) jours pour les pièces uniquement :

Pièces de rechange

LES GARANTIES PRÉCÉDENTES SONT EXCLUSIVES ET REMPLACENT TOUTES AUTRES GARANTIES, EXPRESSES OU IMPLICITES, COMPRENANT, MAIS NE SE LIMITANT PAS À, TOUTES GARANTIES IMPLICITES DE QUALITÉ MARCHANDE OU DE FINALITÉ PARTICULIÈRE OU TOUS BREVETS OU TOUTES AUTRES ATTEINTES AUX DROITS DE LA PROPRIÉTÉ INTELLECTUELLE. Sans restreindre la portée générale des énoncés précédents, CES GARANTIES NE COUVRENT PAS : Ampoules d'éclairage à incandescence enduites, lumières fluorescentes, ampoules de lampes chauffantes, ampoules d'éclairage à halogène enduites, ampoules de lampes chauffantes au xénon, tubes d'éclairage DEL, composants en verre et fusibles ; défaut de produit dans la cuve d'un appareil de chauffage d'appoint, dans un échangeur de chaleur à tubes à ailettes ou tout autre équipement de chauffage d'eau causé par la calcification, l'accumulation de sédiments, la réaction d'un produit chimique ou le gel ; ou une mauvaise utilisation, une manipulation ou une mauvaise application, une installation inappropriée du Produit ou l'utilisation d'une tension inappropriée.

2. LIMITES DES RECOURS ET DES DOMMAGES

La responsabilité de Hatco et la seule voie de recours de l'Acheteur prévues par les présentes seront limitées exclusivement, au gré de Hatco, à la réparation ou au remplacement à l'aide de pièces ou de Produits nouveaux ou remis à neuf par Hatco ou un centre de réparation agréé par Hatco (sauf si l'Acheteur se situe hors des États-Unis, du Canada, du Royaume-Uni ou de l'Australie, auquel cas la responsabilité de Hatco et la seule voie de recours de l'Acheteur seront limitées exclusivement au remplacement des pièces concernées par la garantie) à l'égard de toute revendication effectuée dans les délais de garantie applicables mentionnés ci-dessus. Hatco se réserve le droit d'accepter ou de rejeter toute réclamation en partie ou dans son intégralité. Dans le cadre de cette Garantie limitée, « remis à neuf » signifie une pièce ou un Produit dont les caractéristiques techniques d'origine ont été restaurées par Hatco ou un centre de réparation agréé par Hatco. Hatco n'acceptera aucun retour de Produits sans qu'il n'ait auparavant donné son accord écrit, et tous ces retours approuvés doivent être effectués aux seuls frais de l'Acheteur. HATCO NE SERA PAS TENU RESPONSABLE, DANS AUCUNE CIRCONSTANCE, DES DOMMAGES CONSÉCUTIFS OU INDIRECTS, COMPRENANT, MAIS NE SE LIMITANT PAS À, LES COÛTS DE MAIN-D'ŒUVRE OU PERTES DE PROFITS DUS À UNE UTILISATION OU À UNE IMPOSSIBILITÉ D'UTILISER LES PRODUITS OU DUS AU FAIT QUE LES PRODUITS ONT ÉTÉ INTÉGRÉS DANS OU QU'ILS SONT DEVENUS UN COMPOSANT DE TOUT AUTRE PRODUIT OU BIEN.

AUTHORIZED PARTS DISTRIBUTORS • AUTORISÉS DISTRIBUTEURS DE PIÈCES

ALABAMA

Jones McLeod Appl. Svc.
Birmingham 205-251-0159

ARIZONA

Service Solutions Group
Phoenix 602-234-2443

Byassee Equipment Co.
Phoenix 602-252-0402

CALIFORNIA

Industrial Electric
Commercial Parts & Service, Inc.
Huntington Beach 714-379-7100

Chapman Appl. Service
San Diego 619-298-7106

P & D Appliance
Commercial Parts & Service, Inc.
S. San Francisco 650-635-1900

COLORADO

Hawkins Commercial Appliance
Englewood 303-781-5548

FLORIDA

Whaley Foodservice Repair
Jacksonville 904-725-7800

3Wire Nass Service Co., Inc.
Orlando 407-425-2681

B.G.S.I.
Pompano Beach 954-971-0456

Comm. Appliance Service
Tampa 813-663-0313

GEORGIA

TWC Services
Mableton 770-438-9797

Heritage Service Group
Norcross 866-388-9837

Southeastern Rest. Svc.
Norcross 770-446-6177

HAWAII

Burney's Comm. Service, Inc.
Honolulu 808-848-1466

Food Equip Parts & Service
Honolulu 808-847-4871

ILLINOIS

Parts Town
Lombard 708-865-7278

Eichenauer Elec. Service
Decatur 217-429-4229

Midwest Elec. Appl. Service
Elmhurst 630-279-8000

Cone's Repair Service
Moline 309-797-5323

INDIANA

GCS Service
Indianapolis 800-727-8710

IOWA

Goodwin Tucker Group
Des Moines 515-262-9308

KENTUCKY

Service Solutions Group
Lexington 859-254-8854

Service Solutions Group
Louisville 502-451-5411

LOUISIANA

Chandlers Parts & Service
Baton Rouge 225-272-6620

MARYLAND

Electric Motor Service
Baltimore 410-467-8080

GCS Service
Silver Spring 301-585-7550

MASSACHUSETTS

Ace Service Co., Inc.
Needham 781-449-4220

MICHIGAN

Bildons Appliance Service
Detroit 248-478-3320

Commercial Kitchen Service
Bay City 989-893-4561

Midwest Food Equip. Service
Grandville 616-261-2000

MINNESOTA

GCS Service
Minnetonka 800-822-2303
x20365

MISSOURI

General Parts
Kansas City 816-421-5400

Commercial Kitchen Services
St. Louis 314-890-0700

Kaemmerlen Parts & Service
St. Louis 314-535-2222

NEBRASKA

Anderson Electric
Omaha 402-341-1414

NEVADA

Burney's Commercial
Las Vegas 702-736-0006

Hi. Tech Commercial Service
N. Las Vegas 702-649-4616

NEW JERSEY

Jay Hill Repair
Fairfield 973-575-9145

Service Plus
Flanders 973-691-6300

NEW YORK

Acme American Repairs, Inc.
Brooklyn 718-456-6544

Alpro Service Co.
Brooklyn 718-386-2515

Appliance Installation
Buffalo 716-884-7425

Duffy's Equipment Services, Inc.
Buffalo 800-836-1014

3Wire Northern
Plattsburgh 800-634-5005

Duffy's Equipment Services, Inc.
Sauquoit 800-836-1014

J.B. Brady, Inc.
Syracuse 315-422-9271

NORTH CAROLINA

Authorized Appliance
Charlotte 704-377-4501

OHIO

Akron/Canton Comm. Svc. Inc.
Akron 330-753-6634

Service Solutions Group
Cincinnati 513-772-6600

Commercial Parts and Service
Columbus 614-221-0057

Electrical Appl. Repair Service
Brooklyn Heights 216-459-8700

E. A. Wichman Co.
Toledo 419-385-9121

OKLAHOMA

Hagar Rest. Service, Inc.
Oklahoma City 405-235-2184

Krueger, Inc.
Oklahoma City 405-528-8883

OREGON

Ron's Service, Inc.
Portland 503-624-0890

PENNSYLVANIA

Elmer Schultz Services
Philadelphia 215-627-5401

FAST Comm. Appl. Service
Philadelphia 215-288-4800

Appliance Installation & Service
Pittsburgh 412-809-0244

K & D Service Co.
Harrisburg 717-236-9039

Electric Repair Co.
Reading 610-376-5444

RHODE ISLAND

Marshall Electric Co.
Providence 401-331-1163

SOUTH CAROLINA

Whaley Foodservice Repair
Lexington 803-996-9900

TENNESSEE

Camp Electric
Memphis 901-527-7543

TEXAS

GCS Service
Fort Worth 800-433-1804

Armstrong Repair Service
Houston 713-666-7100

Cooking Equipment Specialist
Mesquite 972-686-6666

Commercial Kitchen Repair Co.
San Antonio 210-735-2811

UTAH

La Monica's Rest. Equip. Service
Murray 801-263-3221

VIRGINIA

Daubers
Norfolk 757-855-4097

Daubers
Springfield 703-866-3600

WASHINGTON

3Wire Restaurant Appliance
Seattle 800-207-3146

WISCONSIN

A.S.C., Inc.
Madison 608-246-3160

A.S.C., Inc.
Milwaukee 414-543-6460

CANADA

ALBERTA

Key Food Equipment Service
Edmonton 780-438-1690

BRITISH COLUMBIA

Key Food Equipment Service
Vancouver 604-433-4484

Key Food Equipment Service
Victoria 250-920-4888

MANITOBA

Air Rite, Inc.
Winnipeg 204-895-2300

NEW BRUNSWICK

EMR Services, Ltd.
Moncton 506-855-4228

ONTARIO

R.G. Henderson Ltd.
Toronto 416-422-5580

Choquette - CKS, Inc.
Ottawa 613-739-8458

QUÉBEC

Choquette - CKS, Inc.
Montreal 514-722-2000

Choquette - CKS, Inc.
Québec City 418-681-3944

UNITED KINGDOM

Marren Group
Northants +44(0)1933 665313

HATCO CORPORATION

P.O. Box 340500

Milwaukee, WI 53234-0500 U.S.A.

800-558-0607 414-671-6350

Parts and Service Fax 800-690-2966

International Fax 414-671-3976

partsandservice@hatcocorp.com

www.hatcocorp.com

Register your unit online!

See IMPORTANT OWNER INFORMATION
section for details.

S'inscrire en ligne!

Lisez la section INFORMATIONS IMPORTANTES
POUR LE PROPRIÉTAIRE pour plus de informations.