

hatcocorp.com

Register Online!
(see page 2)

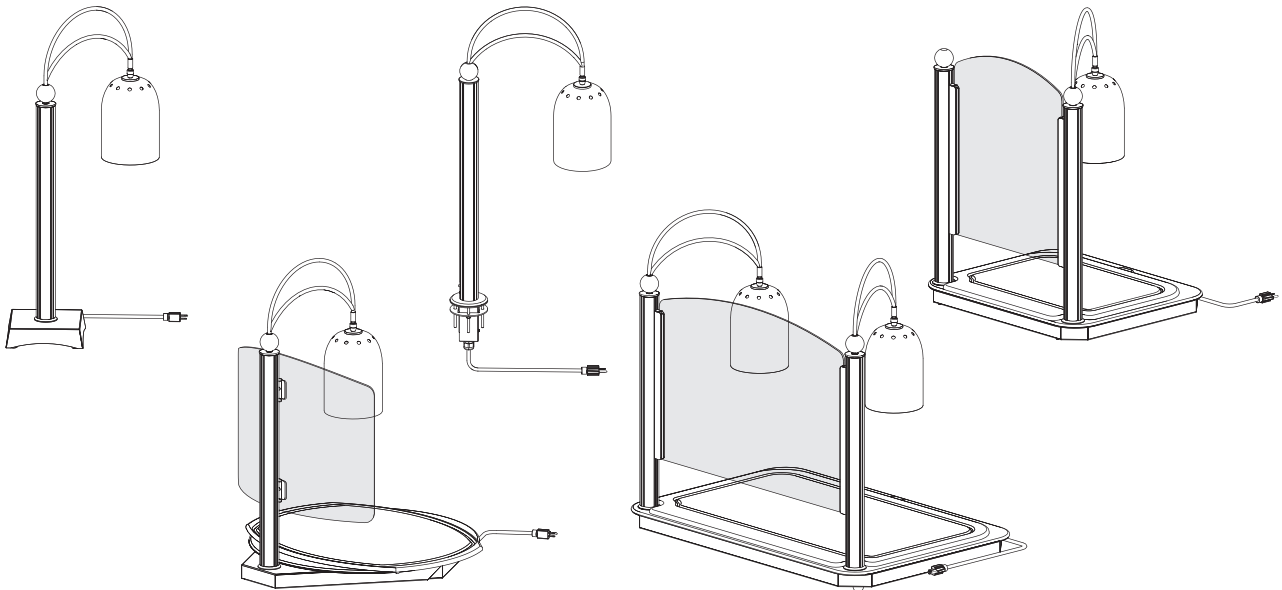
S'inscrire en ligne!
(voir page 14)



Decorative Carving Stations Stations de découpage décoratives DCS Series • Série DCS

Installation and Operating Manual Manuel d'installation et d'utilisation

P/N 07.04.493.00



⚠ WARNING

Do not operate this equipment unless you have read and understood the contents of this manual! Failure to follow the instructions contained in this manual may result in serious injury or death. This manual contains important safety information concerning the maintenance, use, and operation of this product. If you're unable to understand the contents of this manual, please bring it to the attention of your supervisor. Keep this manual in a safe location for future reference.

English = p 2

⚠ ADVERTENCIA

No opere este equipo al menos que haya leído y comprendido el contenido de este manual! Cualquier falla en el seguimiento de las instrucciones contenidas en este manual puede resultar en un serio lesión o muerte. Este manual contiene importante información sobre seguridad concerniente al mantenimiento, uso y operación de este producto. Si usted no puede entender el contenido de este manual por favor pregunte a su supervisor. Almacenar este manual en una localización segura para la referencia futura.

⚠ AVERTISSEMENT

Ne pas utiliser cet équipement sans avoir lu et compris le contenu de ce manuel ! Le non-respect des instructions contenues dans ce manuel peut entraîner de graves blessures ou la mort. Ce manuel contient des informations importantes concernant l'entretien, l'utilisation et le fonctionnement de ce produit. Si vous ne comprenez pas le contenu de ce manuel, veuillez le signaler à votre supérieur. Conservez ce manuel dans un endroit sûr pour pouvoir vous y référer plus tard.

Français = p 14

Important Owner Information	2	Operation	9
Introduction	2	General	9
Important Safety Information	3	Maintenance	10
Model Description	4	General	10
Model Designation	5	Daily Cleaning	10
Specifications	6	Cleaning the Stone Surface	10
Plug Configurations	6	Replacing a Heat Bulb	10
Electrical Rating Chart.....	6	Troubleshooting Guide	11
Dimensions	6	Options and Accessories	12
Installation	8	Hatco Limited Warranty	13
General.....	8	Authorized Parts Distributors	Back Cover
Installing Countertop Mounted Models.....	8		

IMPORTANT OWNER INFORMATION

Record the model number, serial number (specification label located on the bottom of the unit), voltage, and purchase date of the unit in the spaces below. Please have this information available when calling Hatco for service assistance.

Model No. _____

Serial No. _____

Voltage _____

Date of Purchase _____

Business Hours: 8:00 AM to 5:00 PM Central Standard Time (CST)
 (Summer Hours: June to September—
 8:00 AM to 5:00 PM CST Monday–Thursday
 8:00 AM to 2:30 PM CST Friday)


Telephone: 800-558-0607; 414-671-6350

e-mail: partsandservice@hatcocorp.com

Fax: 800-690-2966 (Parts and Service)
 414-671-3976 (International)

Register your unit!

Completing online warranty registration will prevent delay in obtaining warranty coverage. Access the Hatco website at www.hatcocorp.com, select the *Parts & Service* pull-down menu, and click on “Warranty Registration”.



24 Hour 7 Day Parts and Service Assistance available in the United States and Canada by calling 800-558-0607.

Additional information can be found by visiting our web site at www.hatcocorp.com.

INTRODUCTION

Hatco Decorative Carving Stations create an attractive and functional carving display for restaurants, hotels, country clubs, casinos, and caterers to hold and serve carving meats at proper food-safe temperatures. Adjustable and stylish overhead heat lamps combined with a heated stone base and stone cutting board give chefs flexibility and control for a variety of products.

Decorative Carving Stations are quality built to meet the demands of foodservice operations and provide years of trouble-free performance.

Hatco Decorative Carving Stations are products of extensive research and field testing. The materials used were selected for maximum durability, attractive appearance, and optimum performance. Every unit is inspected and tested thoroughly prior to shipment.

This manual provides the installation, safety, and operating instructions for Decorative Carving Stations. Hatco recommends all installation, operating, and safety instructions appearing in this manual be read prior to installation or operation of a unit.

Safety information that appears in this manual is identified by the following signal word panels:



WARNING indicates a hazardous situation which, if not avoided, could result in death or serious injury.



CAUTION indicates a hazardous situation which, if not avoided, could result in minor or moderate injury.



NOTICE is used to address practices not related to personal injury.



Read the following important safety information before using this equipment to avoid serious injury or death and to avoid damage to equipment or property.

⚠ WARNING

ELECTRIC SHOCK HAZARD:

- Plug unit into a properly grounded electrical receptacle of the correct voltage, size, and plug configuration. If plug and receptacle do not match, contact a qualified electrician to determine and install the proper voltage and size electrical receptacle.
- Turn OFF power switch, unplug power cord, and allow unit to cool before performing any cleaning, adjustments, or maintenance.
- Never overload extension cord. Use heavy duty, three-wire extension cord only. Make sure current carrying capacity of extension cord complies with electrical rating of unit.
- DO NOT submerge or saturate with water. Unit is not waterproof. Do not operate if unit has been submerged or saturated with water.
- Unit is not weatherproof. Locate unit indoors where ambient air temperature is a minimum of 70°F (21°C).
- Do not steam clean or use excessive water on unit.
- This unit is not “jet-proof” construction. Do not use jet-clean spray to clean this unit.
- Do not pull unit by power cord.
- Discontinue use if power cord is frayed or worn.
- Do not attempt to repair or replace a damaged power cord. The cord must be replaced by Hatco, an Authorized Hatco Service Agent, or a person with similar qualifications.
- This unit must be serviced by qualified personnel only. Service by unqualified personnel may lead to electric shock or burn.
- Use only Genuine Hatco Replacement Parts when service is required. Failure to use Genuine Hatco Replacement Parts will void all warranties and may subject operators of the equipment to hazardous electrical voltage, resulting in electrical shock or burn. Genuine Hatco Replacement Parts are specified to operate safely in the environments in which they are used. Some aftermarket or generic replacement parts do not have the characteristics that will allow them to operate safely in Hatco equipment.

FIRE HAZARD:

- Locate unit a minimum of 1” (25 mm) from combustible walls and materials. If safe distances are not maintained, discoloration or combustion could occur.
- Never overload extension cord. If extension cord feels hot, turn off unit immediately and replace with cord that has larger current carrying capacity.

EXPLOSION HAZARD: Do not store or use gasoline or other flammable vapors or liquids in the vicinity of this or any other appliance.

⚠ WARNING

Use only heat lamps that meet or exceed National Sanitation Foundation (NSF) standards and are specifically designed for food holding areas. Breakage of heat lamps not specially protected could result in personal injury and/or food contamination.

Hatco Corporation is not responsible for the actual food product serving temperature. It is the responsibility of the user to ensure that the food product is held and served at a safe temperature.

Make sure all operators have been instructed on the safe and proper use of the unit.

This unit is not intended for use by children or persons with reduced physical, sensory, or mental capabilities. Ensure proper supervision of children and keep them away from the unit.

This unit has no “user-serviceable” parts. If service is required on this unit, contact an Authorized Hatco Service Agent or contact the Hatco Service Department at 800-558-0607 or 414-671-6350; fax 800-690-2966; or International fax 414-671-3976.

⚠ CAUTION

BURN HAZARD: Some exterior surfaces on unit will get hot. Use caution when touching these areas.

Locate unit at the proper counter height in an area that is convenient for use. The location should be level to prevent the unit or its contents from falling accidentally and strong enough to support the weight of the unit and contents.

NOTICE

Damage to any countertop material caused by heat generated from Hatco equipment is not covered under the Hatco warranty. Contact the manufacturer of the countertop material for application information.

Use non-abrasive cleaners on glass and metal surfaces. Abrasive cleaners could scratch the finish of the unit, marring its appearance and making it susceptible to soil accumulation.

Clean unit daily to avoid malfunctions and maintain sanitary operation.

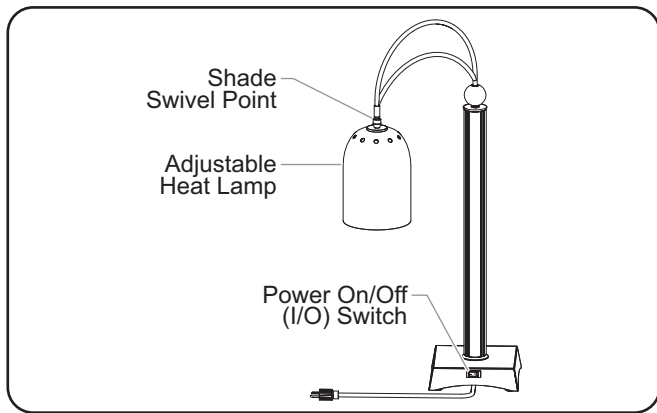
All Models

All Hatco Decorative Carving Stations are constructed of aluminum and steel. Each has an adjustable, pivoting overhead heat lamp(s). A heat lamp consists of a vented shade and a clear, coated 250 W heat bulb. The shade and post on all models are available in several plated finish colors. Some models include a thermostatically-controlled heated stone base along with a matching, removable stone cutting board. Each Decorative Carving Station is equipped with a 6' (1829 mm) power cord with plug.

NOTE: Stone surfaces are a simulated stone solid surface.

Model DCSXXX-1

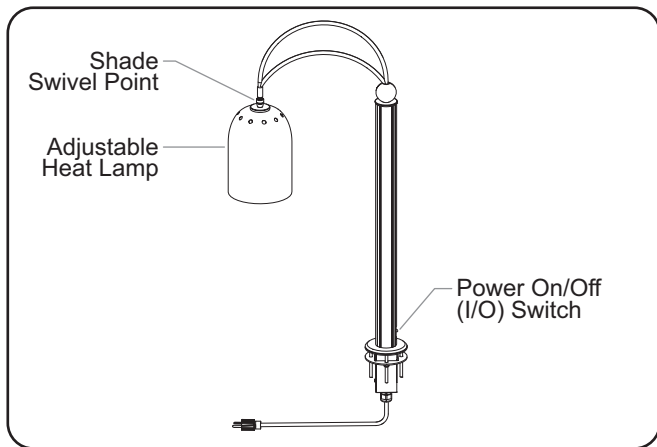
Model DCSXXX-1 consists of a freestanding overhead heat lamp supported by a sturdy square base. The height of the heat lamp is adjustable from 16" to 28" (406 to 711 mm) measured from the bottom of the lamp shade to the countertop. A Power On/Off (I/O) switch is located on the support base.



Model DCS400-1

Model DCSXXX-1CM

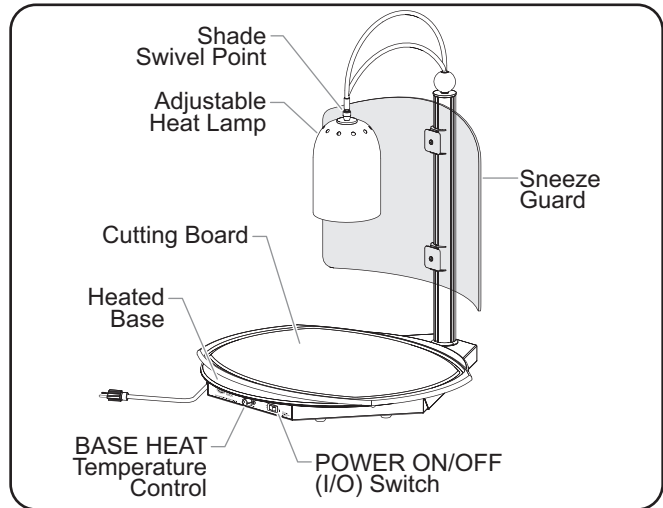
Model DCSXXX-1CM consists of an overhead heat lamp mounted to a countertop. The height of the heat lamp is adjustable from 16" to 28" (406 to 711 mm) measured from the bottom of the lamp shade to the countertop. A Power On/Off (I/O) switch is located on the post near the base.



Model DCS400-1CM

Model DCSBXXX-R24-1

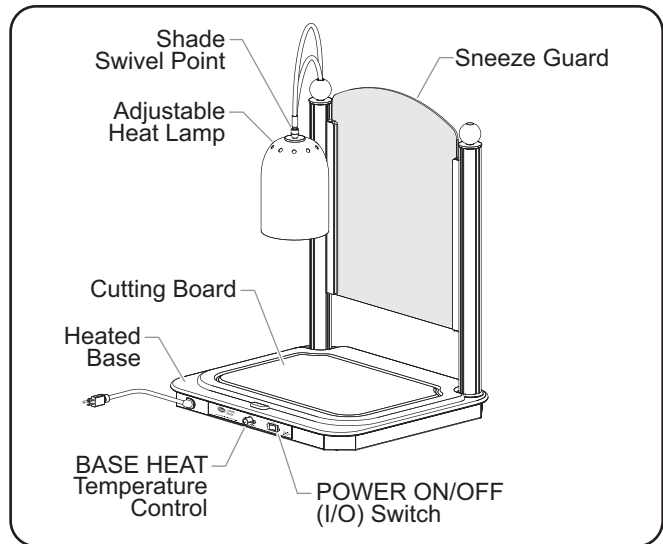
Model DCSBXXX-R24-1 consists of an overhead heat lamp supported by a round heated stone base. The height of the heat lamp is adjustable from 14" to 26" (356 to 660 mm) measured from the bottom of the lamp shade to the top of the cutting board. A glass sneeze guard attached to the lamp post provides protection to the food product on the cutting board. Controls consist of a POWER ON/OFF (I/O) switch and a BASE HEAT temperature control located on the heated base.



Model DCSB400-R24-1

Model DCSBXXX-2420-1

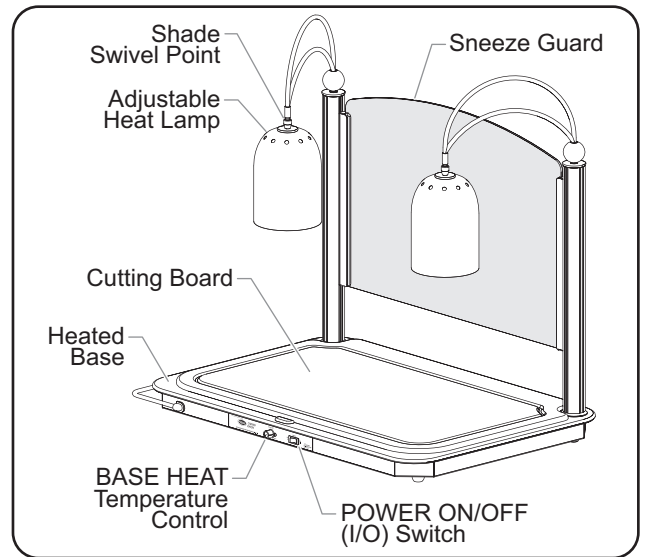
Model DCSBXXX-2420-1 consists of an overhead heat lamp supported by a rectangular heated stone base. The height of the heat lamp is adjustable from 14" to 26" (356 to 660 mm) measured from the bottom of the lamp shade to the top of the cutting board. A glass sneeze guard attached between the lamp posts provides protection to the food product on the cutting board. Controls consist of a POWER ON/OFF (I/O) switch and a BASE HEAT temperature control located on the heated base.



Model DCSB400-2420-1

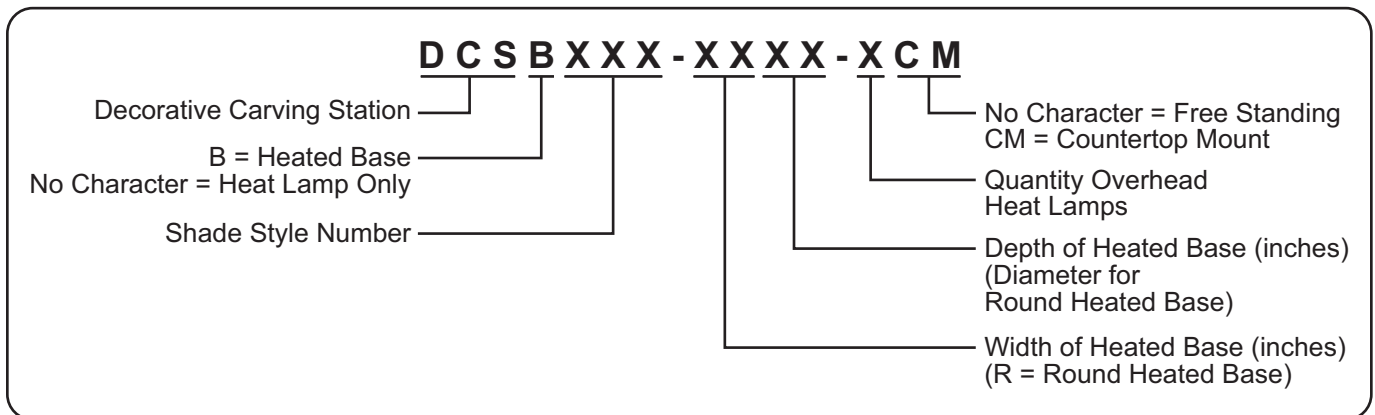
Model DCSBXXX-3624-2

Model DCSBXXX-3624-2 consists of dual overhead heat lamps supported by a rectangular heated stone base. The height of the heat lamps are adjustable from 14" to 26" (356 to 660 mm) measured from the bottom of the lamp shades to the top of the cutting board. A glass sneeze guard attached between the lamp posts provides protection to the food product on the cutting board. Controls consist of a POWER ON/OFF (I/O) switch and a BASE HEAT temperature control located on the heated base.



Model DCSB400-3624-2

MODEL DESIGNATION



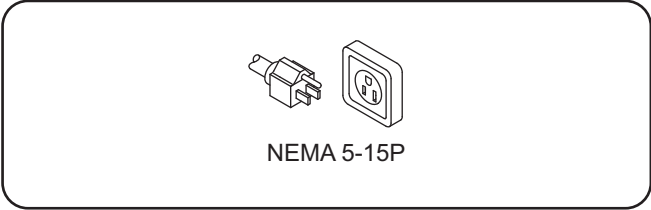
Plug Configurations

Units are supplied from the factory with an electrical cord and plug installed. Plugs are supplied according to the applications.



ELECTRIC SHOCK HAZARD: Plug unit into a properly grounded electrical receptacle of the correct voltage, size, and plug configuration. If plug and receptacle do not match, contact a qualified electrician to determine and install the proper voltage and size electrical receptacle.

NOTE: Specification label located on the bottom of the unit. See label for serial number and verification of unit electrical information.



Plug Configurations

NOTE: Receptacle not supplied by Hatco.

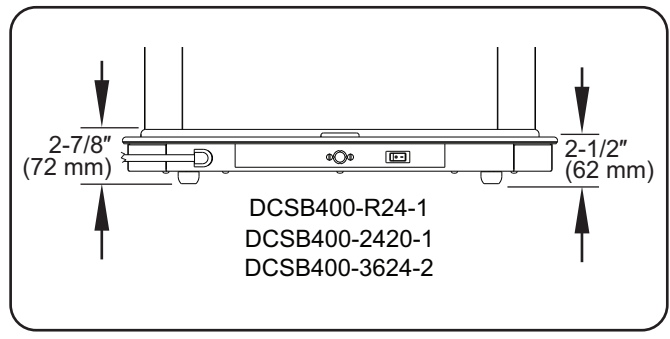
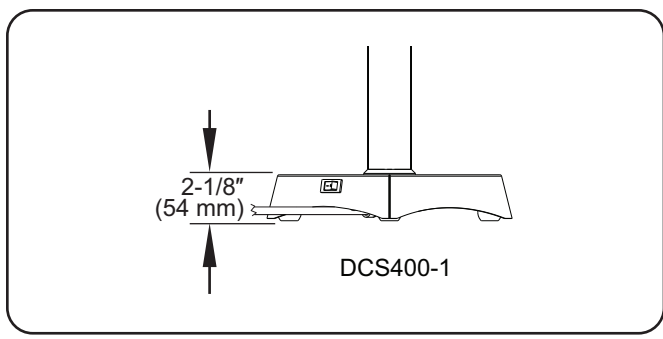
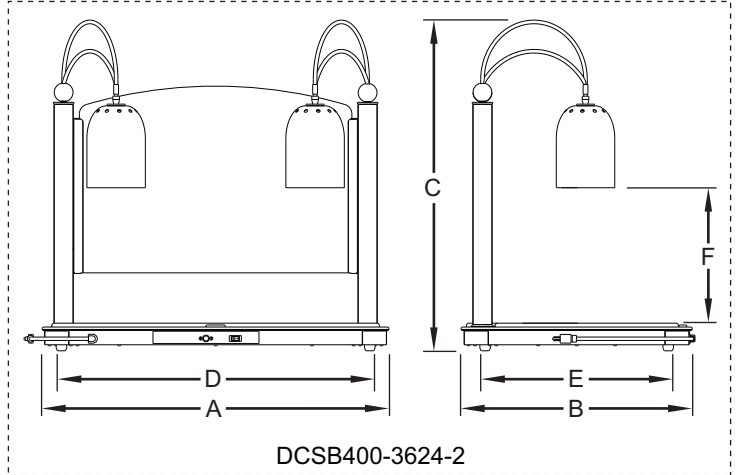
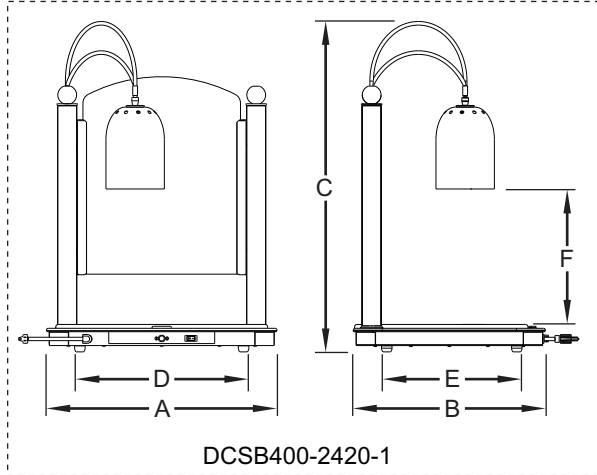
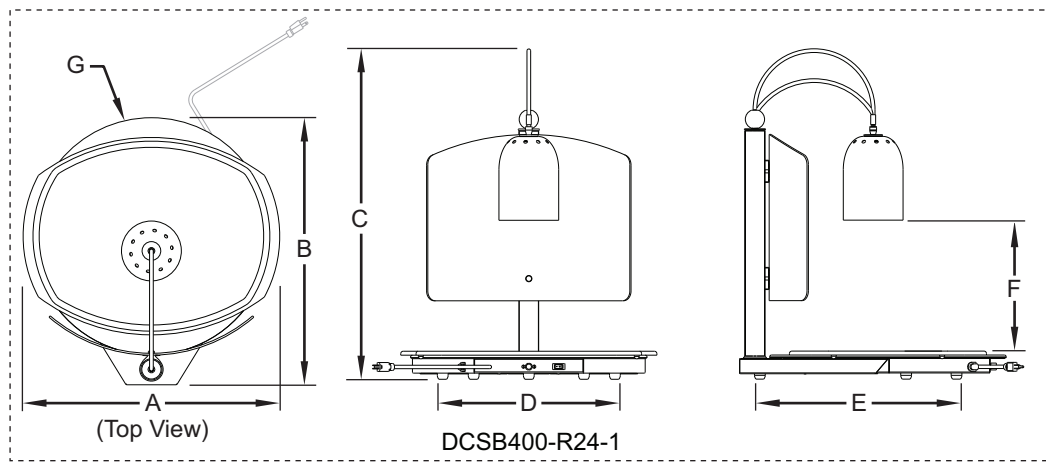
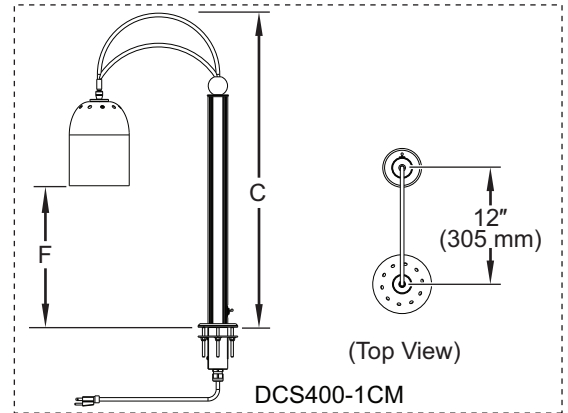
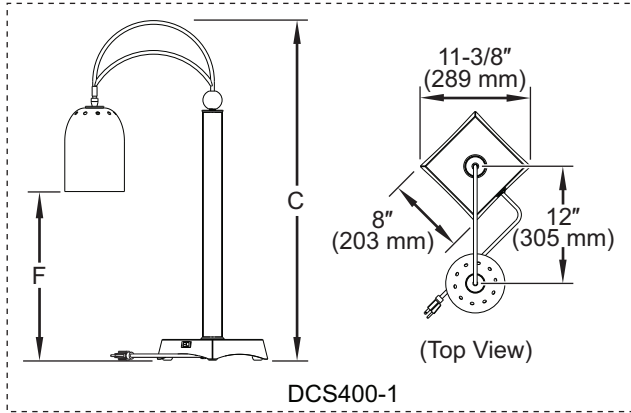
Electrical Rating Chart

Model	Voltage	Watts	Amps	Plug Configuration	Shipping Weight
DCSXXX-1	120	250	2.1	NEMA 5-15P	32 lbs. (15 kg)
DCSXXX-1CM	120	250	2.1	NEMA 5-15P	32 lbs. (15 kg)*
DCSBXXX-R24-1	120	600	5.0	NEMA 5-15P	75 lbs. (34 kg)
DCSBXXX-2420-1	120	750	6.3	NEMA 5-15P	106 lbs. (48 kg)
DCSBXXX-3624-2	120	1300	10.8	NEMA 5-15P	154 lbs. (70 kg)

* Estimated Shipping Weight

Dimensions

Model	Width (A)	Depth (B)	Height (C)	Footprint Width (D)	Footprint Depth (E)	Shade Height (F)	Diameter (G)
DCSXXX-1	---	---	34" to 46" (864 to 1168 mm)	---	---	16" to 28" (406 to 711 mm)	---
DCSXXX-1CM	---	---	34" to 46" (864 to 1168 mm)	---	---	16" to 28" (406 to 711 mm)	---
DCSBXXX-R24-1	26" (660 mm)	27-1/16" (687 mm)	34" to 46" (864 to 1168 mm)	18-3/8" (467 mm)	20-7/8" (530 mm)	14" to 26" (356 to 660 mm)	24" (610 mm)
DCSBXXX-2420-1	23-15/16" (608 mm)	19-15/16" (506 mm)	34" to 46" (864 to 1168 mm)	17-7/8" (454 mm)	14-3/8" (365 mm)	14" to 26" (356 to 660 mm)	---
DCSBXXX-3624-2	35-7/8" (911 mm)	24" (610 mm)	34" to 46" (864 to 1168 mm)	32-7/8" (835 mm)	19-7/8" (505 mm)	14" to 26" (356 to 660 mm)	---



General

Use the following information and procedures to install a Decorative Carving Station.



WARNING

ELECTRIC SHOCK HAZARD:

- Plug unit into a properly grounded electrical receptacle of the correct voltage, size, and plug configuration. If plug and receptacle do not match, contact a qualified electrician to determine and install the proper voltage and size electrical receptacle.
- Unit is not weatherproof. Locate unit indoors where ambient air temperature is a minimum of 70°F (21°C).

FIRE HAZARD:

- Locate unit a minimum of 1" (25 mm) from combustible walls and materials. If safe distances are not maintained, discoloration or combustion could occur.



CAUTION

Locate unit at the proper counter height in an area that is convenient for use. The location should be level to prevent the unit or its contents from falling accidentally and strong enough to support the weight of the unit and contents.

1. Remove the unit from the carton.
2. Remove tape and protective packaging from all surfaces of unit.

NOTE: To prevent delay in obtaining warranty coverage, complete online warranty registration. See the IMPORTANT OWNER INFORMATION section for details.

3. Place the unit in the desired location. For countertop mounted models, refer to the "Installing Countertop Mounted Models" procedure in this section.
 - Locate the unit in an area where the ambient air temperature is constant and a minimum of 70°F (21°C). Avoid areas that may be subject to active air movements or currents (i.e., near exterior doors, exhaust fans/hoods, air conditioning ducts, etc...).
 - Make sure the unit is at the proper counter height in an area convenient for use.
 - Make sure the countertop is level and strong enough to support the weight of the unit and food product.
 - Make sure all the feet on the bottom of the unit are positioned securely on the countertop.



NOTICE

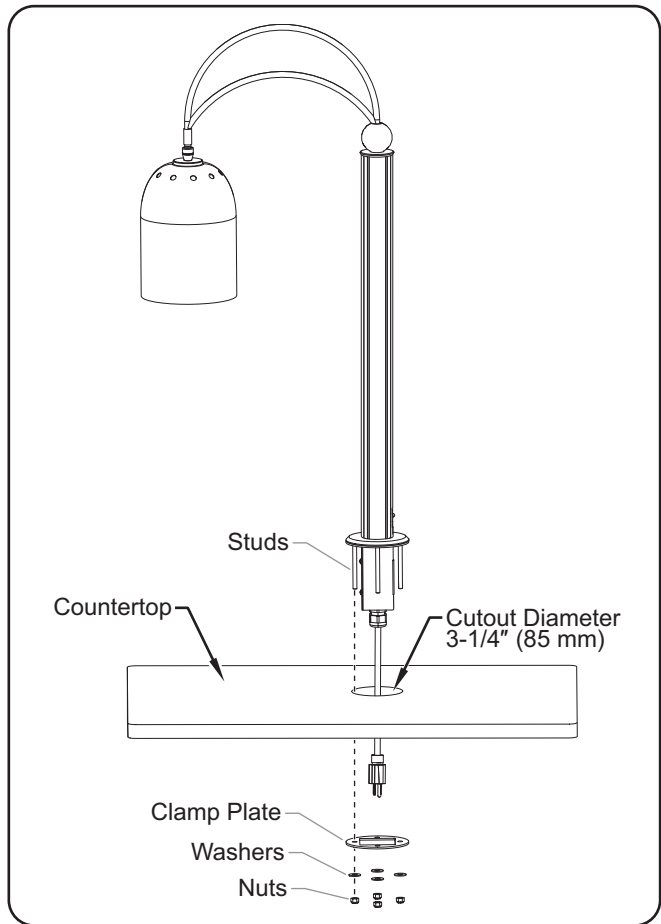
Damage to any countertop material caused by heat generated from Hatco equipment is not covered under the Hatco warranty. Contact the manufacturer of the countertop material for application information.

Installing Countertop Mounted Models (DCS400-1CM)

1. Cut a 3-1/4" (85 mm) in diameter opening in the countertop.

NOTE: The countertop cannot be thicker than 2-1/2" (64 mm).

2. Lower the lamp post assembly into the countertop cutout.
3. From underneath the countertop, align the clamp plate holes with the studs.
4. Secure the unit to the countertop using the four washers and nuts.
5. Plug unit into a properly grounded electrical receptacle of the correct voltage, size, and plug configuration. See the SPECIFICATIONS section for details.



Installing DCS400-1CM Model

General

Use the following procedures to operate a Decorative Carving Station.

WARNING

Read all safety messages in the Important Safety Information section before operating this equipment.

Hatco Corporation is not responsible for the actual food product serving temperature. It is the responsibility of the user to ensure that the food product is held and served at a safe temperature.

Startup

1. For DCSB models, clean and sanitize the removable cutting board using a clean, damp cloth and a sanitizer approved for food contact surfaces.
2. Plug unit into a properly grounded electrical receptacle of the correct voltage, size, and plug configuration. See the SPECIFICATIONS section for details.
3. Move the POWER ON/OFF (I/O) switch to the ON (I) position.
 - The heat lamp will illuminate.
 - On DCSB models, the heated base will begin heating.

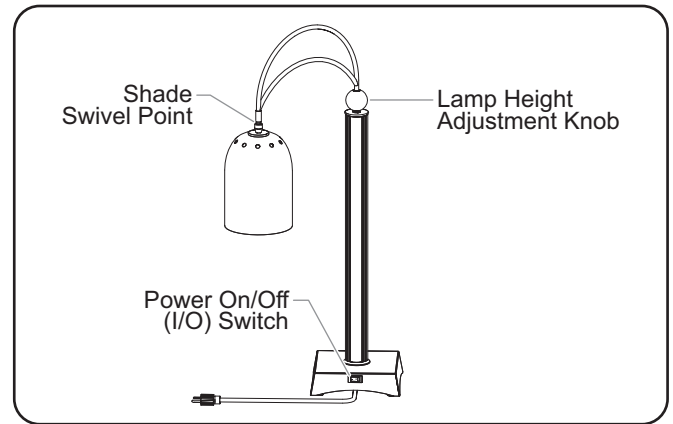
CAUTION

BURN HAZARD: Some exterior surfaces on unit will get hot. Use caution when touching these areas.

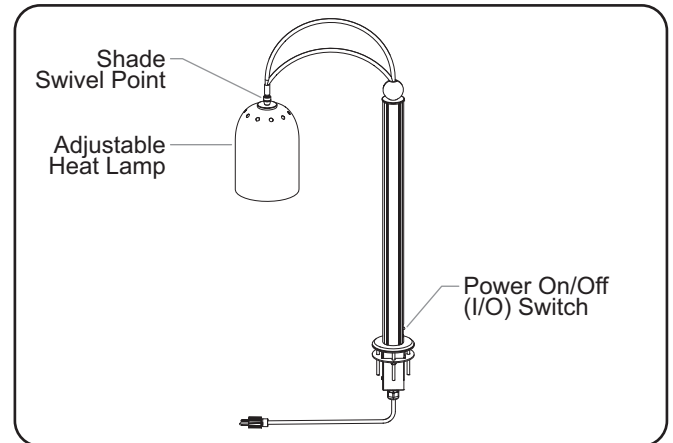
4. For DCSB models, turn the BASE HEAT temperature control to the desired setting.
5. Adjust the heat lamp to the desired height, pivot, and swivel position. To adjust the height and pivot:
 - a. Loosen the lamp height adjustment knob.
 - b. Raise or lower the lamp to the desired height, and pivot the lamp to the desired location.
 - c. Tighten the lamp height adjustment knob.
6. Allow the unit approximately 30 minutes to reach operating temperature before holding food product.

Shutdown

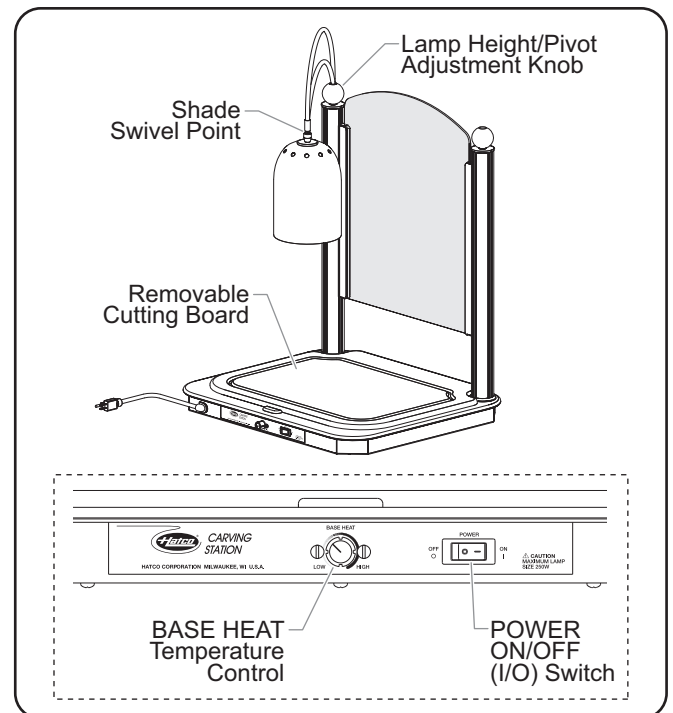
1. Move the POWER ON/OFF (I/O) switch to the OFF (O) position.
 - The heat lamp will shut off.
 - On DCSB models, the heated base will shut off.



Controls on DCS Model



Model DCS400-1CM



Controls on DCSB Models

General

Hatco Decorative Carving Stations are designed for maximum durability and performance, with minimum maintenance.



ELECTRIC SHOCK HAZARD:

- Turn OFF power switch, unplug power cord, and allow unit to cool before performing any cleaning, adjustments, or maintenance.
- DO NOT submerge or saturate with water. Unit is not waterproof. Do not operate if unit has been submerged or saturated with water.
- Do not steam clean or use excessive water on unit.
- This unit is not “jet-proof” construction. Do not use jet-clean spray to clean this unit.
- Use only Genuine Hatco Replacement Parts when service is required. Failure to use Genuine Hatco Replacement Parts will void all warranties and may subject operators of the equipment to hazardous electrical voltage, resulting in electrical shock or burn. Genuine Hatco Replacement Parts are specified to operate safely in the environments in which they are used. Some aftermarket or generic replacement parts do not have the characteristics that will allow them to operate safely in Hatco equipment.

This unit has no “user-serviceable” parts. If service is required on this unit, contact an Authorized Hatco Service Agent or contact the Hatco Service Department at 800-558-0607 or 414-671-6350; fax 800-690-2966; or International fax 414-671-3976.



Clean unit daily to avoid malfunctions and maintain sanitary operation.

Use non-abrasive cleaners on glass and metal surfaces. Abrasive cleaners could scratch the finish of the unit, marring its appearance and making it susceptible to soil accumulation.

Daily Cleaning

For sanitary operation as well as to preserve the condition of the unit and maintain performance, it is recommended that the unit be cleaned daily.

NOTE: Before turning on the unit each day, clean and sanitize the stone surfaces using a sanitizer approved for food contact surfaces.

1. Turn off the unit, unplug the power cord, and allow the unit to cool.
2. Clean the glass sneeze guard using paper towel and standard glass cleaner.
3. Wipe down the lamp shade and all other metal parts with a clean, soft, damp cloth. Stubborn stains can be removed with a mild, non-abrasive cleanser.
4. Clean and sanitize the stone surfaces using a clean, damp cloth and a sanitizer approved for food contact surfaces. If additional cleaning is necessary, refer to the “Cleaning the Stone Surface” information in this section.

NOTE: To correct inconsistent staining and discoloration, refer to the “Cleaning the Stone Surface” information in this section.

Cleaning the Stone Surface

Proper use of the products listed below will not damage the stone surface (follow the directions on the product labels).

NOTE: Stone surfaces are a simulated stone solid surface.



Make sure to clean and sanitize the stone surface properly after deep cleaning the surface using abrasives and before placing food product on unit.

Hard to Remove Stains

For hard-to-remove stains, use the supplied abrasive pad along with an abrasive cleaner such as Ajax, Comet, Bon Ami, or Bar Keeper’s Friend. Additional abrasive pads are available from Hatco (P/N 04.39.049.00). **NOTICE: Use supplied abrasive pad on stone surface only.**

NOTE: Do not use steel wool or metal scouring pads.

Mineral Based Stains

For a mineral-based stain, cleaners designed to remove iron or rust are recommended and should not harm the stone surface.

Scratches

For scratches, use sandpaper starting with the coarsest grit and going to finest grit until the scratch disappears. Blend area in with the supplied abrasive pad.

Replacing a Heat Bulb

The heat lamps on the Decorative Carving Stations come standard with a clear, coated infrared heat bulb rated at 250 W.



Use only heat lamps that meet or exceed National Sanitation Foundation (NSF) standards and are specifically designed for food holding areas. Breakage of heat lamps not specially protected could result in personal injury and/or food contamination.

To replace a bulb:

1. Turn off the unit, unplug the power cord, and allow the unit to cool.
2. Unscrew the heat bulb from the unit and replace with a new bulb (bulbs have a threaded base).

The following replacement bulbs are available from the factory or a Hatco Authorized Parts Distributor:

250 W, 120 V, Clear Coated	02.30.069.00
250 W, 120 V, Red Coated	02.30.068.00



This unit must be serviced by qualified personnel only. Service by unqualified personnel may lead to electric shock or burn.



ELECTRIC SHOCK HAZARD: Turn OFF power switch, unplug power cord, and allow unit to cool before performing any cleaning, adjustments, or maintenance.

Symptom	Probable Cause	Corrective Action
Unit is not working at all.	Unit not turned on.	Move POWER ON/OFF (I/O) switch to the ON (I) position.
	Unit not plugged in.	Plug unit into proper power supply.
	Circuit breaker tripped.	Reset circuit breaker. If circuit breaker continues to trip, Contact Authorized Service Agent or Hatco for assistance.
	POWER ON/OFF (I/O) switch is defective.	Contact Authorized Service Agent or Hatco for assistance.
Unit is turned on but there is no overhead heat and/or base heat.	No power to unit.	Make sure unit is plugged in and/or check circuit breaker and reset as necessary.
	Heat bulb has burned out.	Replace heat bulb.
	POWER ON/OFF (I/O) switch is defective.	Contact Authorized Service Agent or Hatco for assistance.
	BASE HEAT temperature control is defective.	Contact Authorized Service Agent or Hatco for assistance.
	Base heating element burned out.	Contact Authorized Service Agent or Hatco for assistance.
Overhead heat too low.	Heat lamp positioned too high above target.	Lower heat lamp, putting effective heat closer to target.
	Excessive air movement around unit target area.	Restrict or redirect air movement (i.e. air conditioning duct or exhaust fan) away from unit.
	Voltage supply too low.	Check power supply to unit, making sure it matches rating on the unit. If power supply is incorrect, change to match rating on unit.
Overhead heat too high.	Heat lamp positioned too close to target area.	Raise heat lamp to decrease heat at target.
	Voltage supply too high.	Check power supply to unit, making sure it matches rating on unit. If power supply is incorrect, change to match rating.
Base heat too high.	BASE HEAT temperature control set too high.	Turn BASE HEAT temperature control to a lower setting.
	Voltage supply too high.	Check power supply to unit, making sure it matches rating on unit. If power supply is incorrect, change to match rating.
	BASE HEAT temperature control is defective.	Contact Authorized Service Agent or Hatco for assistance.

continued...



WARNING

This unit must be serviced by qualified personnel only. Service by unqualified personnel may lead to electric shock or burn.



WARNING

ELECTRIC SHOCK HAZARD: Turn OFF power switch, unplug power cord, and allow unit to cool before performing any cleaning, adjustments, or maintenance.

Symptom	Probable Cause	Corrective Action
Base heat too low.	BASE HEAT temperature control set too low.	Turn BASE HEAT temperature control to a higher setting.
	Excessive air movement around unit target area.	Restrict or redirect air movement (i.e. air conditioning duct or exhaust fan) away from unit.
	BASE HEAT temperature control is defective.	Contact Authorized Service Agent or Hatco for assistance.
	Base heating element burned out.	Contact Authorized Service Agent or Hatco for assistance.
Stone surface material is stained, discolored, or has inconsistent staining/discoloration.	Stone surface not being cleaned properly.	Clean surface using the "Cleaning the Stone Surface" information in the MAINTENANCE section of this manual. If these methods fail to produce acceptable results, contact Hatco for assistance.

Troubleshooting Questions?

If you continue to have problems resolving an issue, please contact the nearest Authorized Hatco Service Agency or Hatco for assistance. To locate the nearest Service Agency, log onto the Hatco website at www.hatcocorp.com and click on *Find Service Agent*, or contact the **Hatco Parts and Service Team** at:

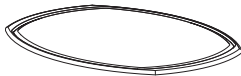
Telephone: 800-558-0607 or 414-671-6350
 e-mail: partsandservice@hatcocorp.com
 Fax: 800-690-2966 or 414-671-3976

OPTIONS AND ACCESSORIES

Cutting Boards

Accessory stone cutting boards are available in various finishes for Decorative Carving Stations models with a heated base.

Model DCSBXXX-R24-1



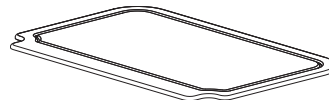
- CBR24GGRANGray Granite
- CBR24NSKYNight Sky
- CBR24BSANDBermuda Sand
- CBR24SGRASSSawgrass

Model DCSBXXX-2420-1



- CB2420GGRANGray Granite
- CB2420NSKYNight Sky
- CB2420BSANDBermuda Sand
- CB2420SGRASSSawgrass

Model DCSBXXX-3624-2



- CB3624GGRANGray Granite
- CB3624NSKYNight Sky
- CB3624BSANDBermuda Sand
- CB3624SGRASSSawgrass

1. PRODUCT WARRANTY

Hatco warrants the products that it manufactures (the "Products") to be free from defects in materials and workmanship, under normal use and service, for a period of one (1) year from the date of purchase when installed and maintained in accordance with Hatco's written instructions or 18 months from the date of shipment from Hatco. Buyer must establish the Product's purchase date by registering the Product with Hatco or by other means satisfactory to Hatco in its sole discretion.

Hatco warrants the following Product components to be free from defects in materials and workmanship from the date of purchase (subject to the foregoing conditions) for the period(s) of time and on the conditions listed below:

- a) **One (1) Year Parts and Labor PLUS One (1) Additional Year Parts-Only Warranty:**
 - Conveyor Toaster Elements (metal sheathed)
 - Drawer Warmer Elements (metal sheathed)
 - Drawer Warmer Drawer Rollers and Slides
 - Strip Heater Elements (metal sheathed)
 - Display Warmer Elements (metal sheathed air heating)
 - Holding Cabinet Elements (metal sheathed air heating)
 - Heated Well Elements — HW and HWB Series (metal sheathed)
- b) **One (1) Year Parts and Labor PLUS Four (4) Years Parts-Only Warranty:**
 - 3CS and FR Tanks
- c) **One (1) Year Parts and Labor PLUS Nine (9) Years Parts-Only Warranty on:**
 - Electric Booster Heater Tanks
 - Gas Booster Heater Tanks
- d) **Ninety (90) Day Parts-Only Warranty:**
 - Replacement Parts

THE FOREGOING WARRANTIES ARE EXCLUSIVE AND IN LIEU OF ANY OTHER WARRANTY, EXPRESSED OR IMPLIED, INCLUDING BUT NOT LIMITED TO ANY IMPLIED WARRANTY OF MERCHANTABILITY OR FITNESS FOR A PARTICULAR PURPOSE OR PATENT OR OTHER INTELLECTUAL PROPERTY RIGHT INFRINGEMENT. Without limiting the generality of the foregoing, SUCH WARRANTIES DO NOT COVER: Coated incandescent light bulbs, fluorescent lights, heat lamp bulbs, coated halogen light bulbs, halogen heat lamp bulbs, xenon light bulbs, LED light tubes, glass components, and fuses; Product failure in booster tank, fin tube heat exchanger, or other water heating equipment caused by liming, sediment buildup, chemical attack, or freezing; or Product misuse, tampering or misapplication, improper installation, or application of improper voltage.

2. LIMITATION OF REMEDIES AND DAMAGES

Hatco's liability and Buyer's exclusive remedy hereunder will be limited solely, at Hatco's option, to repair or replacement using new or refurbished parts or Product by Hatco or a Hatco-authorized service agency (other than where Buyer is located outside of the United States, Canada, United Kingdom, or Australia, in which case Hatco's liability and Buyer's exclusive remedy hereunder will be limited solely to replacement of part under warranty) with respect to any claim made within the applicable warranty period referred to above. Hatco reserves the right to accept or reject any such claim in whole or in part. In the context of this Limited Warranty, "refurbished" means a part or Product that has been returned to its original specifications by Hatco or a Hatco-authorized service agency. Hatco will not accept the return of any Product without prior written approval from Hatco, and all such approved returns shall be made at Buyer's sole expense. HATCO WILL NOT BE LIABLE, UNDER ANY CIRCUMSTANCES, FOR CONSEQUENTIAL OR INCIDENTAL DAMAGES, INCLUDING BUT NOT LIMITED TO LABOR COSTS OR LOST PROFITS RESULTING FROM THE USE OF OR INABILITY TO USE THE PRODUCTS OR FROM THE PRODUCTS BEING INCORPORATED IN OR BECOMING A COMPONENT OF ANY OTHER PRODUCT OR GOODS.

Informations Importantes pour le Propriétaire	14	Mode d'emploi	21
Introduction	14	Généralités	21
Consignes de Sécurité Importantes	15	Maintenance	22
Description du Modèle	16	Généralités	22
Désignation du Modèle	17	Nettoyage quotidien	22
Caractéristiques Techniques	18	Nettoyer la surface en pierre.....	22
Configuration des Fiches.....	18	Remplacer une lampe chauffante	22
Tableau des valeurs nominales électriques	17	Guide de Dépannage	23
Dimensions	18	Options et accessoires	25
Installation	20	Garantie Limitée	26
Généralités	20	Autorisés Distributeurs de Pièces	Couverture Arrière
Installation des modèles montés sur un comptoir.....	20		

INFORMATIONS IMPORTANTES POUR LE PROPRIÉTAIRE

Notez le numéro de modèle, le numéro de série, la tension et la date d'achat de l'appareil dans les espaces ci-dessous (situées en bas de l'appareil). Veuillez avoir cette information à portée de la main si vous appelez Hatco pour assistance.

Modèle No. _____

Numéro de série _____

Voltage _____

Date d'achat _____

Enregistrez votre appareil!

Remplissez la garantie en ligne pour éviter les retards pour faire jouer la garantie. Accédez au site Web Hatco www.hatcocorp.com, sélectionnez le menu déroulant Parts & Service, puis cliquez sur Warranty Registration.

Horaires

ouvrables: 8h00 à 17h00
Heure du Centre des États-Unis (CST)
(Horaires d'été : juin à septembre—
8h00 à 17h00 CST du lundi au jeudi
8h00 à 14h30 CST le vendredi)

Téléphone : 800-558-0607; 414-671-6350

Courriel : partsandservice@hatcocorp.com

Télécopieur : 800-690-2966 (Pièces et Service après-vente)
414-671-3976 (International)



Service d'assistance et de pièces de rechange disponible 7j/7, 24h/24 aux États-Unis et au Canada en composant le 800-558-0607.

Des renseignements supplémentaires sont disponibles sur notre site Web à www.hatcocorp.com.

INTRODUCTION

Les stations de découpage décoratives de Hatco proposent une vitrine de découpage pour les restaurants, les hôtels, les country clubs, les casinos et les traiteurs afin de conserver et de servir des viandes découpées à des températures sans danger pour les aliments. Des lampes chauffant par le dessus, ajustables et élégantes, combinées avec une base chauffante en pierre et une planche à découper en pierre fournissent aux chefs la flexibilité et le contrôle nécessaires pour une large variété de produits.

Les stations de découpage décoratives sont d'une qualité leur permettant de répondre aux exigences du secteur de la restauration, et pour fournir des années de fonctionnement sans incident.

Les stations de découpage décoratives Hatco sont issues d'une recherche poussée et ont été testées sur le terrain. Les matériaux utilisés ont été sélectionnés pour une durabilité maximum, une apparence séduisante et des performances optimum. Chaque unité est inspectée et testée minutieusement avant d'être expédiée.

Ce manuel fournit les instructions concernant l'installation, la sécurité et le fonctionnement des stations de découpage décoratives.

Hatco vous recommande de lire l'ensemble des instructions d'installation, de sécurité et de fonctionnement contenues dans ce manuel avant d'installer et d'utiliser l'appareil.

Les consignes de sécurité qui apparaissent dans ce manuel sont identifiées par les mots indicateurs suivants :

⚠ AVERTISSEMENT

AVERTISSEMENT indique une situation dangereuse qui, si elle n'est pas évitée, peut provoquer la mort ou des blessures graves.

⚠ ATTENTION

ATTENTION indique une situation dangereuse qui, si elle n'est pas évitée, peut provoquer des blessures légères ou moyennes.

AVIS

AVIS est utilisé pour des questions sans rapport avec des blessures corporelles.



Lisez l'information de sécurité importante suivante avant d'utiliser cet équipement pour éviter des dommages ou la mort sérieux et pour éviter d'endommager l'équipement ou la propriété.

AVERTISSEMENT

DANGER DE DÉCHARGE ÉLECTRIQUE :

- Brancher l'appareil sur une prise de courant avec terre de tension, de format et de configuration des broches corrects. Si la fiche et la prise ne se correspondent pas, s'adresser à un électricien qualifié pour déterminer et installer une prise de courant de format et de tension corrects.
- Mettez l'unité hors tension depuis l'interrupteur, débranchez le cordon d'alimentation et laissez l'unité refroidir avant d'effectuer tout nettoyage, tout réglage ou tout entretien.
- NE PAS immerger l'appareil ni le saturer d'eau. L'appareil n'est pas étanche à l'eau. Ne pas le faire fonctionner s'il a été immergé ou saturé d'eau.
- L'appareil n'est pas à l'épreuve des intempéries. Placer l'appareil à l'intérieur à une température ambiante de 21°C (70°F) minimum.
- Ne pas nettoyer à la vapeur ni utiliser trop d'eau sur l'appareil.
- Cet appareil n'est pas étanche aux jets. Ne pas utiliser de jet sous pression pour nettoyer l'appareil.
- Ne tirez pas l'unité par le cordon d'alimentation.
- Interrompez l'utilisation de l'unité si le cordon d'alimentation est effiloché ou usé.
- N'essayez jamais de réparer ou de remplacer un cordon d'alimentation. Celui-ci devra être remplacé par Hatco, un agent de service agréé par Hatco ou une personne possédant des qualifications similaires.
- Cet appareil doit uniquement être réparé par un personnel qualifié. Toute réparation par un personnel non qualifié peut entraîner une électrocution et des brûlures.
- Pour les réparations, utiliser exclusivement des pièces de rechange Hatco d'origine. Utilisez des pièces détachées Hatco authentiques sous peine d'annuler toutes les garanties et d'exposer l'utilisateur à des tensions électriques dangereuses pouvant entraîner une électrocution ou des brûlures. Les pièces de rechange Hatco d'origine sont conçues pour fonctionner sans danger dans les environnements dans lesquels elles sont utilisées. Certaines pièces de rechange génériques ou de second marché ne présentent pas les caractéristiques leur permettant de fonctionner sans danger dans la matériel Hatco.

DANGER D'INCENDIE:

- Placer l'appareil à un minimum de 25 mm des parois et matières combustibles. Si une distance sûre n'est pas maintenue, la chaleur peut provoquer une combustion ou une altération de couleur.
- Ne pas surcharger la rallonge électrique. Si la rallonge semble chaude, éteindre immédiatement l'unité et la remplacer par un cordon électrique ayant de plus importantes capacités de transport de courant.

RISQUE D'EXPLOSION : Ne conservez pas ou n'utilisez pas d'essence ou d'autres vapeurs ou liquides inflammables à proximité de ces plaques ou de tout autre appareil.

AVERTISSEMENT

N'utiliser que des lampes chauffantes qui correspondent ou dépassent les standards de la National Sanitation Foundation (NSF), et qui sont spécifiquement conçues pour des zones de conservation alimentaire. La casse de lampes chauffantes non spécifiquement protégées pourrait engendrer des lésions corporelles et/ou une contamination de la nourriture.

Hatco Corporation n'est pas responsable de la température réelle à laquelle les aliments sont servis. Il est de la responsabilité de l'utilisateur de s'assurer que les produits alimentaires sont maintenus et servis à une température sans danger.

Assurez-vous que tous les opérateurs ont été formés à l'utilisation sûre et correcte de l'appareil.

Cet appareil ne doit pas être utilisé par des enfants ou des personnes avec des capacités physiques, sensorielles ou mentales diminuées. Assurez-vous que les enfants sont bien surveillés et tenez-les à l'écart de l'appareil.

Cet appareil ne contient aucune pièce réparable par l'utilisateur. Si cet appareil doit être réparé, contacter un réparateur Hatco agréé ou le Service après-vente Hatco au 800-558-0607 ou 414-671-6350 ; télécopieur 800-690-2966; télécopieur internationale 414-671-3976.

ATTENTION

DANGER DE BRÛLURE : Certaines surfaces extérieures de l'appareil deviennent chaudes. Toucher ces zones de l'appareil avec précaution.

Placez l'unité à une hauteur adaptée au comptoir, à un emplacement pratique à utiliser. L'emplacement doit être plan pour éviter que l'unité ou son contenu ne tombe accidentellement, et suffisamment solide pour supporter le poids de l'unité et de son contenu.

AVIS

Utilisez uniquement des nettoyeurs non abrasifs et des chiffons doux. Les chiffons et nettoyeur abrasifs pourraient rayer la finition de l'unité, altérant son apparence et la rendant vulnérable à l'accumulation de saleté. Utilisation de matériaux abrasifs annulera la garantie.

Les dommages à toute partie du comptoir pouvant être causés par l'équipement de Hatco ne sont pas couverts par la garantie de Hatco. Contactez le fabricant du comptoir pour les informations concernant l'application.

Nettoyez l'unité quotidiennement pour éviter les dysfonctionnements et assurer un fonctionnement sain.

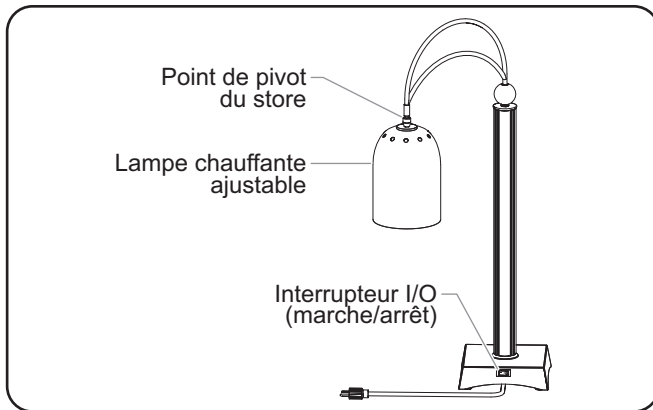
Tous les Modèles

Les stations de découpage décoratives de Hatco sont constituées d'aluminium et d'acier. Chacune dispose d'une lampe chauffante sur le dessus, réglable et pouvant pivoter. Une lampe chauffante consiste en un store ventilé et en une ampoule chauffante enduite incolore de 250 W. Le store et le pied sont disponibles dans plusieurs coloris de finition polie pour tous les modèles. Certains modèles comportent une base en pierre chauffante au thermostat contrôlé ainsi qu'une planche de découpage en pierre adaptée et amovible. Chaque station de découpage décorative est équipée d'un cordon d'alimentation de 1829 mm (6') avec une prise.

NOTA: Les surfaces en pierre sont en pierre artificielle.

Modèle DCSXXX-1

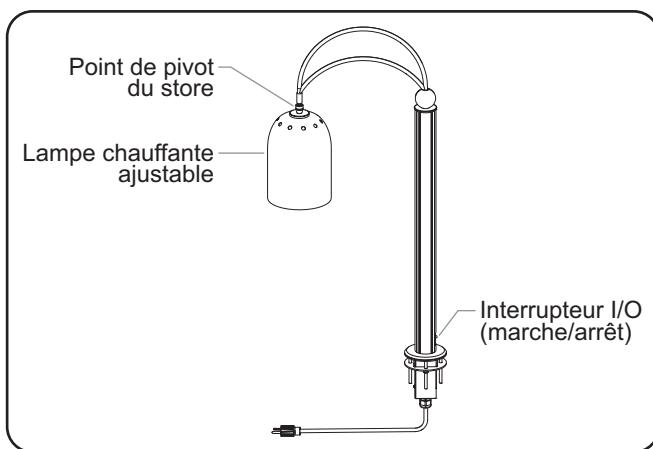
Le modèle DCSXXX-1 consiste en une lampe chauffante sur pied supportée par une base carrée solide. La hauteur de la lampe chauffante est réglable, de 16" to 28" (406 to 711 mm), du bas du store de la lampe jusqu'au comptoir. L'interrupteur I/O (marche/arrêt) est situé sur la base du support.



Modèle DCS400-1

Modèle DCSXXX-1CM

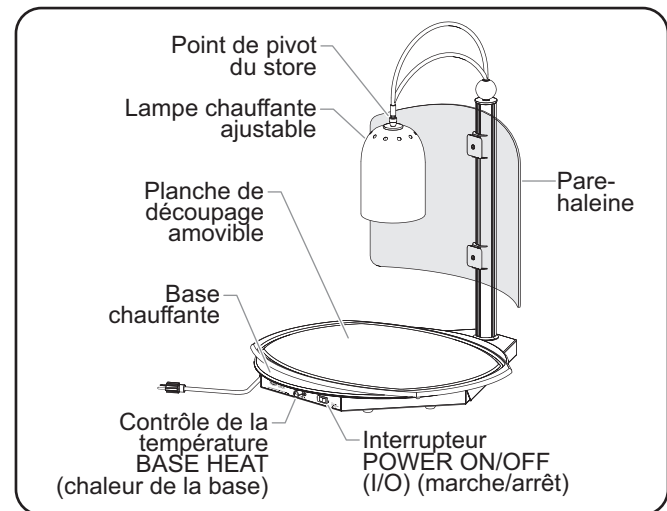
Le modèle DCSXXX-1CM est constitué d'une lampe chauffante sur pied supportée par une base carrée solide. La hauteur de la lampe chauffante est réglable, de 16" to 28" (406 to 711 mm), du bas du store de la lampe jusqu'au comptoir. L'interrupteur I/O (marche/arrêt) est situé sur le pied près de la base.



Modèle DCS400-1CM

Modèle DCSBXXX-R24-1

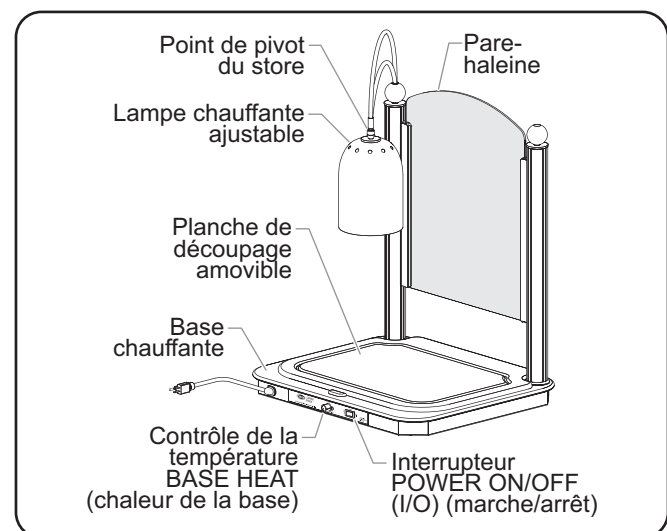
Le modèle DCSXXX-R24-1 consiste en une lampe chauffante sur pied supportée par une base chauffante ronde en pierre. La hauteur de la lampe chauffante est réglable, de 356 à 660 mm (14" à 26"), du bas du store de la lampe jusqu'à la planche à découper. Une protection anti-éclaboussure en verre, fixée sur le pied de la lampe protège les aliments sur la planche à découper. Les contrôles consistent en un interrupteur POWER ON/OFF (I/O) (marche/arrêt) et un contrôle de la température BASE HEAT (chaleur de la base) situé sur la base chauffante.



Modèle DCSB400-R24-1

Modèle DCSBXXX-2420-1

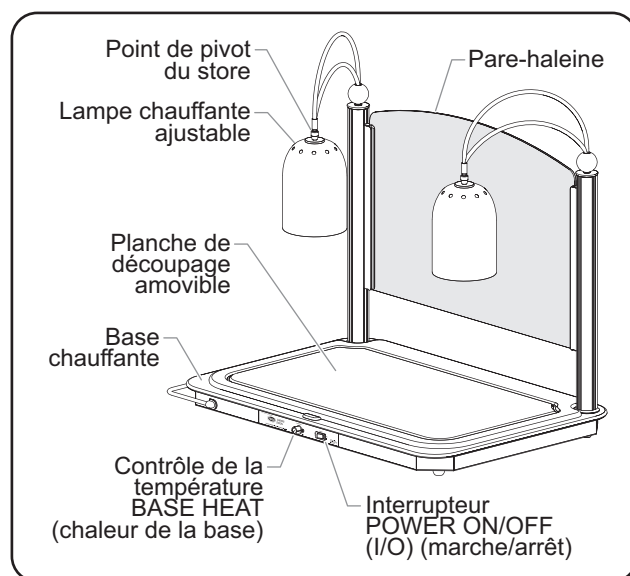
Le modèle DCSXXX-2420-1 consiste en une lampe chauffante sur pied supportée par une base chauffante rectangulaire en pierre. La hauteur de la lampe chauffante est réglable, de 356 à 660 mm (14" à 26"), du bas du store de la lampe jusqu'à la planche à découper. Une protection anti-éclaboussure fixée entre les pieds de la lampe protège les aliments sur la planche à découper. Les contrôles consistent en un interrupteur POWER ON/OFF (I/O) (marche/arrêt) et un contrôle de la température BASE HEAT (chaleur de la base) situé sur la base chauffante.



Modèle DCSB400-2420-1

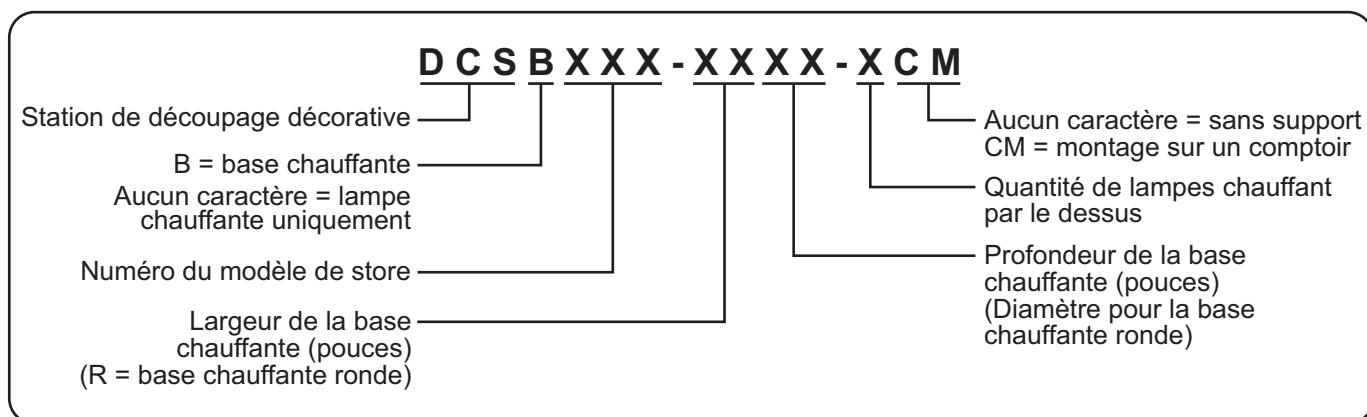
Modèle DCSBXXX-3624-2

Le modèle DCSXXX-3624-2 consiste en deux lampes chauffantes sur pied supportées par une base chauffante rectangulaire en pierre. La hauteur des lampes chauffantes est réglable, de 356 à 660 mm (14" à 26"), du bas des stores de la lampe jusqu'à sur le dessus de la planche à découper. Une protection anti-éclaboussure fixée entre les pieds de la lampe protège les aliments sur la planche à découper. Les contrôles consistent en un interrupteur POWER ON/OFF (I/O) (marche/arrêt) et un contrôle de la température BASE HEAT (chaleur de la base) situé sur la base chauffante.



Modèle DCSB400-3624-2

DÉSIGNATION DU MODÈLE



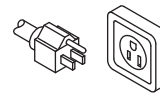
Configuration des fiches

Les appareils sont livrés avec un cordon électrique avec fiche. Différentes fiches sont fournies selon les applications.

⚠ AVERTISSEMENT

DANGER DE DÉCHARGE ÉLECTRIQUE: Brancher l'appareil sur une prise de courant avec terre de tension, de format et de configuration des broches corrects. Si la fiche et la prise ne se correspondent pas, s'adresser à un électricien qualifié pour déterminer et installer une prise de courant de format et de tension corrects.

NOTA Specification label located on the bottom of the unit. Consultez l'étiquette pour connaître le numéro de série et vérifier les caractéristiques électriques de l'appareil.



NEMA 5-15P

Configuration des fiches

NOTA: Prise non fournie par Hatco.

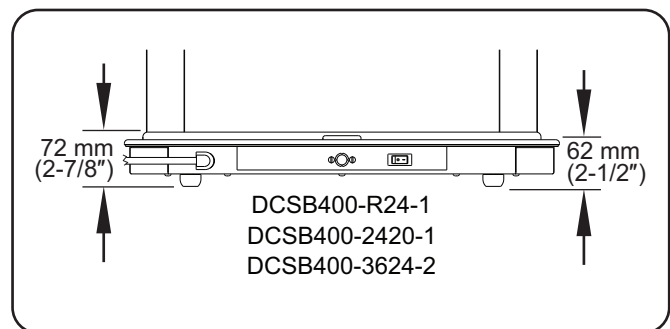
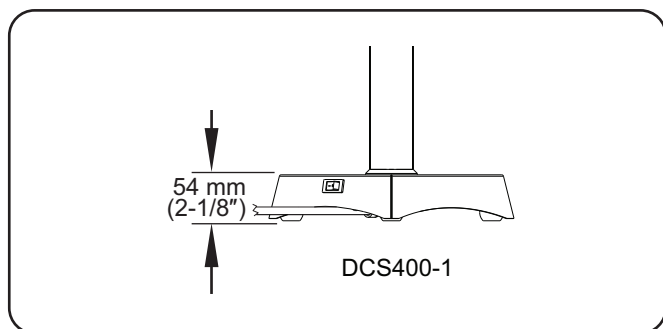
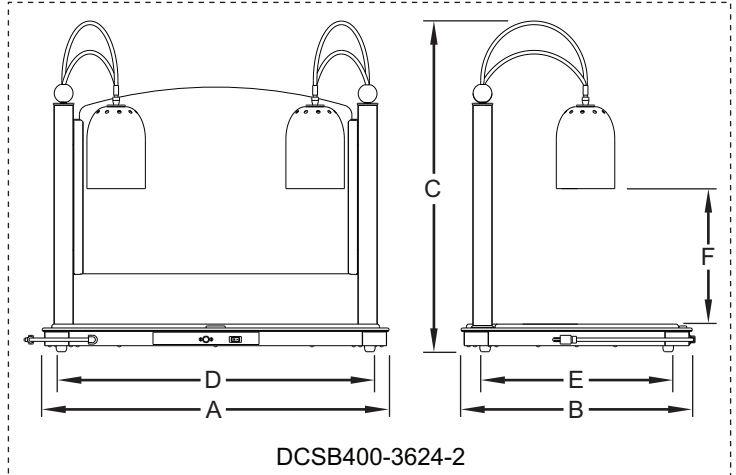
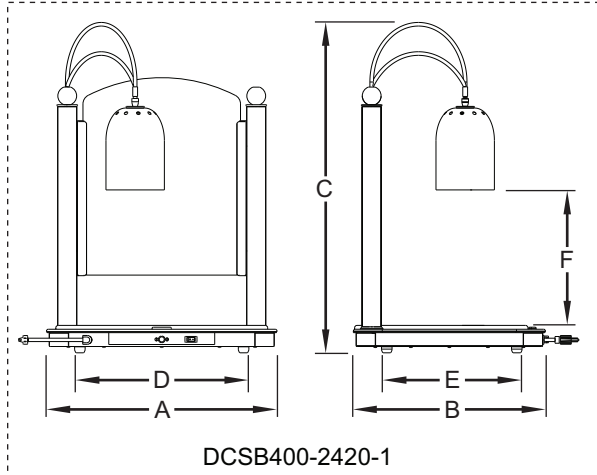
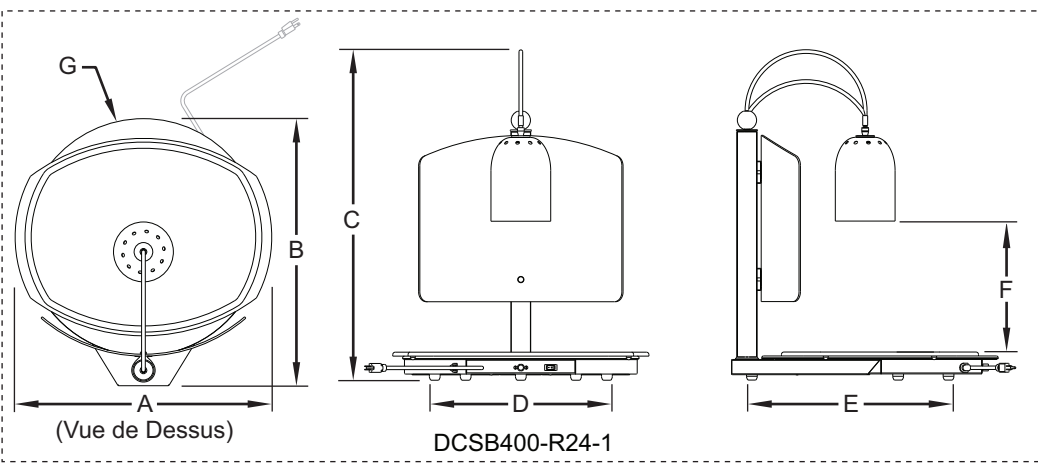
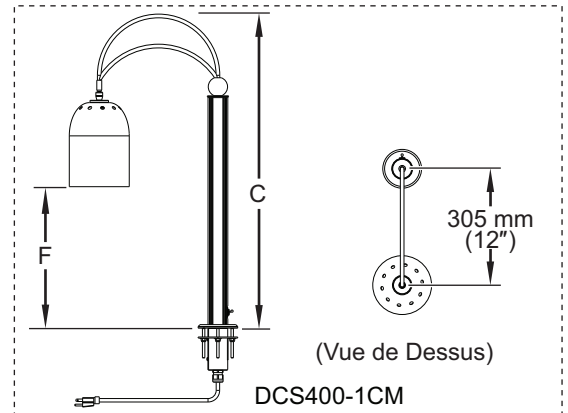
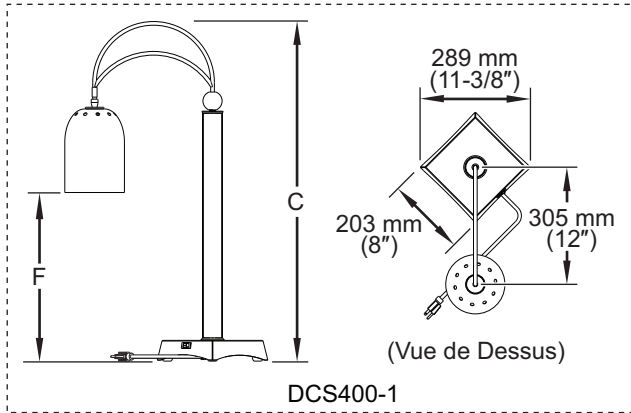
Tableau des valeurs nominales électriques

Modèle	Tension	Intensité	Amps	Configuration de Fiches	Poids d'embarquement
DCSXXX-1	120	250	2.1	NEMA 5-15P	32 lbs. (15 kg)
DCSXXX-1CM	120	250	2.1	NEMA 5-15P	32 lbs. (15 kg)*
DCSBXXX-R24-1	120	600	5.0	NEMA 5-15P	75 lbs. (34 kg)
DCSBXXX-2420-1	120	750	6.3	NEMA 5-15P	106 lbs. (48 kg)
DCSBXXX-3624-2	120	1300	10.8	NEMA 5-15P	154 lbs. (70 kg)

* Poids de livraison estimé

Dimensions

Modèle	Largeur (A)	Profondeur (B)	Hauteur (C)	Empattement Largeur (D)	Empattement Profondeur (E)	Hauteur du store (F)	Diamètre (G)
DCSXXX-1	---	---	864 à 1168 mm (34" à 46")	---	---	406 à 711 mm (16" à 28")	---
DCSXXX-1CM	---	---	864 à 1168 mm (34" à 46")	---	---	406 à 711 mm (16" à 28")	---
DCSBXXX-R24-1	660 mm (26")	687 mm (27-1/16")	864 à 1168 mm (34" à 46")	467 mm (18-3/8")	530 mm (20-7/8")	356 à 660 mm (14" à 26")	610 mm (24")
DCSBXXX-2420-1	608 mm (23-15/16")	506 mm (19-15/16")	864 à 1168 mm (34" à 46")	454 mm (17-7/8")	365 mm (14-3/8")	356 à 660 mm (14" à 26")	---
DCSBXXX-3624-2	911 mm (35-7/8")	610 mm (24")	864 à 1168 mm (34" à 46")	835 mm (32-7/8")	505 mm (19-7/8")	356 à 660 mm (14" à 26")	---



Généralités

Utilisez les informations et les procédures suivantes pour installer la station de découpage décorative.

⚠ AVERTISSEMENT

DANGER DE DÉCHARGE ÉLECTRIQUE:

- Brancher l'appareil sur une prise de courant avec terre de tension, de format et de configuration des broches corrects. Si la fiche et la prise ne se correspondent pas, s'adresser à un électricien qualifié pour déterminer et installer une prise de courant de format et de tension corrects.
- L'appareil n'est pas à l'épreuve des intempéries. Placer l'appareil à l'intérieur à une température ambiante de 21°C (70°F) minimum.

DANGER D'INCENDIE :

- Placer l'appareil à un minimum de 25 mm des parois et matières combustibles. Si une distance sûre n'est pas maintenue, la chaleur peut provoquer une combustion ou une altération de couleur.

⚠ ATTENTION

Placez l'unité à une hauteur adaptée au comptoir, à un emplacement pratique à utiliser. L'emplacement doit être plan pour éviter que l'unité ou son contenu ne tombe accidentellement, et suffisamment solide pour supporter le poids de l'unité et de son contenu.

1. Sortir l'appareil de sa boîte.

NOTA : Pour éviter des retards dans l'obtention de la couverture de la garantie, complétez l'enregistrement en ligne de votre garantie. Lisez la section INFORMATIONS IMPORTANTES POUR LE PROPRIÉTAIRE pour plus de détails.

2. Retirez le ruban et l'emballage de protection de toutes les surfaces de l'appareil.
3. Placez l'unité à l'emplacement souhaité. Pour les modèles montés sur comptoir, veuillez vous référer à la procédure « Installation des modèles montés sur un comptoir » dans cette partie.
 - Placez l'unité dans une zone dont la température ambiante est constante 21°C minimum (70°F). Évitez les endroits susceptibles d'activer les mouvements ou les courants d'air (proximité des ventilateurs ou hottes d'évacuation et conduites de climatisation).
 - Assurez-vous que l'unité est placée à une hauteur appropriée dans une zone facilitant son utilisation.
 - Veillez à ce que le comptoir soit plan et assez résistant pour supporter le poids de l'unité et des produits alimentaires.
 - Veillez à ce que tous les pieds situés sous l'unité soient bien positionnés sur le comptoir.

AVIS

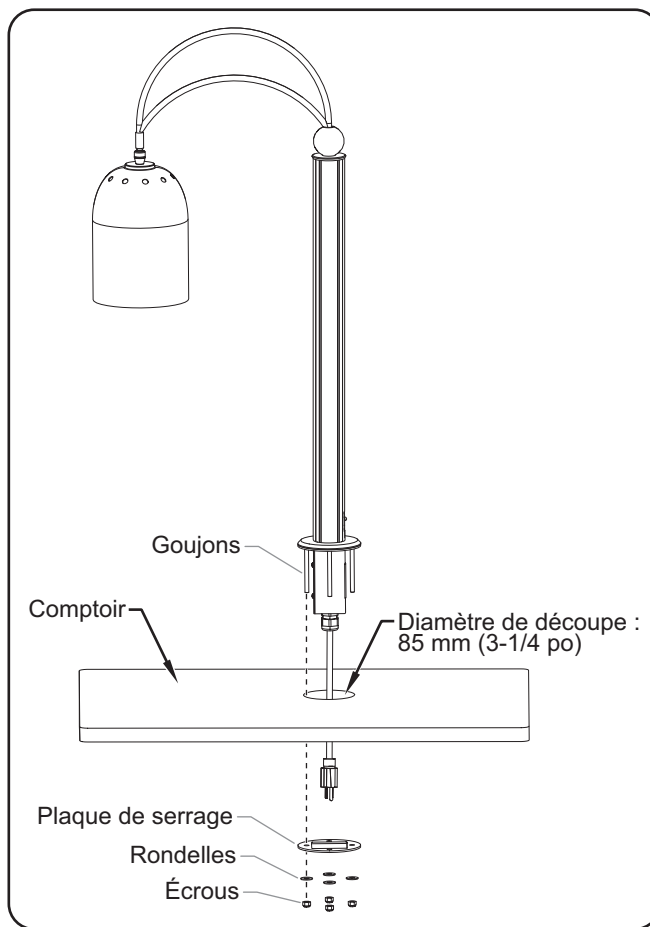
Les dommages à toute partie du comptoir pouvant être causés par l'équipement de Hatco ne sont pas couverts par la garantie de Hatco. Contactez le fabricant du comptoir pour les informations concernant l'application.

Installation des modèles montés sur un comptoir (DCS400-1CM)

1. Découpez une ouverture de 85 mm (3-1/4") de diamètre dans le comptoir.

NOTA: Le comptoir ne peut pas être plus épais que 64 mm (2-1/2").

2. Baissez l'ensemble de pied de lampe dans la découpe du comptoir.
3. À partir du dessous du comptoir, alignez les orifices de la plaque de serrage avec les goujons.
4. Fixez le dispositif sur le comptoir en utilisant les quatre rondelles et écrous.
5. Branchez l'unité à une prise possédant le voltage, la dimension et la configuration adéquats. Consultez la section CARACTÉRISTIQUES TECHNIQUES pour obtenir plus de détails.



Installation du modèle DCS400-1CM

Généralités

Utilisez les procédures suivantes pour utiliser la station de découpage décorative.

⚠ AVERTISSEMENT

Lire tous les messages de sécurité de la section Consignes de sécurité importantes avant d'utiliser ce matériel.

Hatco Corporation n'est pas responsable de la température réelle à laquelle les aliments sont servis. Il est de la responsabilité de l'utilisateur de s'assurer que les produits alimentaires sont maintenus et servis à une température sans danger.

Démarrage

1. Pour les modèles DCSB, nettoyer et désinfecter la planche à découper amovible en utilisant un tissu propre et humide, et un désinfectant agréé pour les surfaces en contact avec des aliments.
2. Branchez l'unité à une prise possédant le voltage, la dimension et la configuration adéquats. Consultez la section CARACTÉRISTIQUES TECHNIQUES pour obtenir plus de détails.
3. Placez l'interrupteur I/O (marche/arrêt) sur la position « I » (marche).
 - La lampe chauffante s'allumera.
 - Sur les modèles DSCB, la lampe chauffante commencera à chauffer.

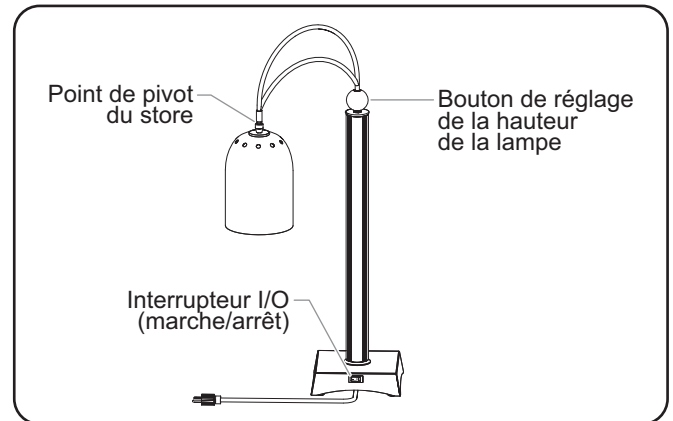
⚠ ATTENTION

DANGER DE BRÛLURE : Certaines surfaces extérieures de l'appareil deviennent chaudes. Toucher ces zones de l'appareil avec précaution.

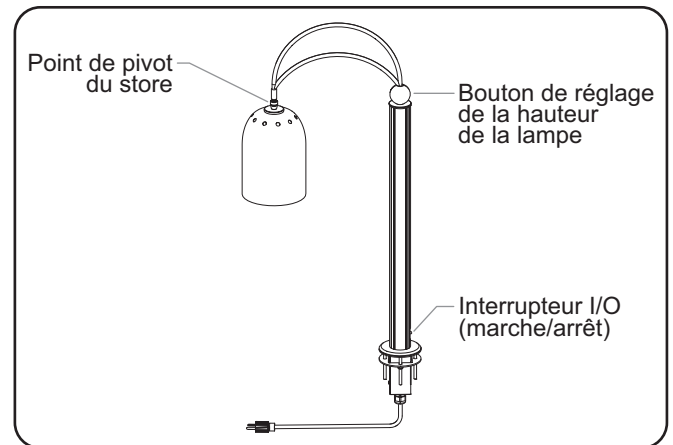
4. Pour les modèles DSCB, tourner le contrôle de la température BASE HEAT (chaleur de la base) à la position désirée.
5. Ajuster la lampe à la hauteur désirée ainsi que le pivot, et la faire tourner. Pour régler la hauteur et le pivot :
 - a. Desserrer le bouton de réglage de la hauteur de la lampe.
 - b. Monter ou baisser la lampe à la hauteur désirée, et la faire pivoter jusqu'à l'emplacement désiré.
 - c. Resserrer le bouton de réglage de la hauteur de la lampe.
6. Accorder environ 30 minutes à l'unité pour qu'elle atteigne sa température de fonctionnement avant d'y conserver des aliments.

Arrêt

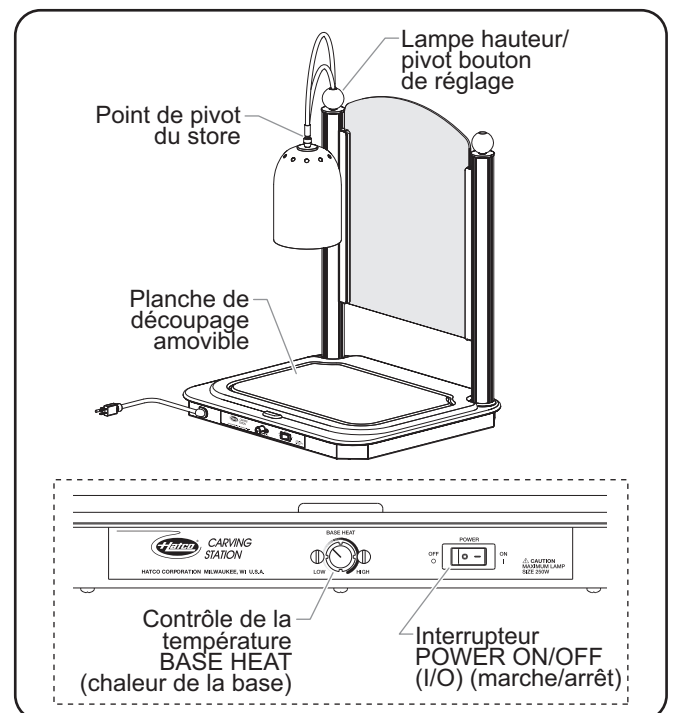
1. Placez l'interrupteur I/O (marche/arrêt) sur la position « O » (arrêt).
 - La lampe chauffante s'éteindra.
 - Sur les modèles DSCB, la lampe chauffante s'éteindra.



Contrôles sur les modèles DCS



Contrôles sur les modèles DCS400-1CM



Contrôles sur les modèles DCSB

Généralités

Les stations de découpage décoratives de Hatco sont conçues pour une durabilité et des performances maximum, avec un minimum d'entretien.



DANGER DE DÉCHARGE ÉLECTRIQUE :

- Mettez l'unité hors tension depuis l'interrupteur, débranchez le cordon d'alimentation et laissez l'unité refroidir avant d'effectuer tout nettoyage, tout réglage ou tout entretien.
- **NE PAS immerger l'appareil ni le saturer d'eau.** L'appareil n'est pas étanche à l'eau. Ne pas le faire fonctionner s'il a été immergé ou saturé d'eau.
- Ne pas nettoyer à la vapeur ni utiliser trop d'eau sur l'appareil.
- Cet appareil n'est pas étanche aux jets. Ne pas utiliser de jet sous pression pour nettoyer l'appareil.
- Pour les réparations, utiliser exclusivement des pièces de rechange Hatco d'origine. Utilisez des pièces détachées Hatco authentiques sous peine d'annuler toutes les garanties et d'exposer l'utilisateur à des tensions électriques dangereuses pouvant entraîner une électrocution ou des brûlures. Les pièces de rechange Hatco d'origine sont conçues pour fonctionner sans danger dans les environnements dans lesquels elles sont utilisées. Certaines pièces de rechange génériques ou de second marché ne présentent pas les caractéristiques leur permettant de fonctionner sans danger dans la matériel Hatco.

Cet appareil ne contient aucune pièce réparable par l'utilisateur. Si cet appareil doit être réparé, contacter un réparateur Hatco agréé ou le Service après-vente Hatco au 800-558-0607 ou 414-671-6350 ; télécopieur 800-690-2966; télécopieur internationale 414-671-3976.



Nettoyez l'unité quotidiennement pour éviter les dysfonctionnements et assurer un fonctionnement sain.

Utilisez uniquement des nettoyeurs non abrasifs et des chiffons doux. Les chiffons et nettoyeur abrasifs pourraient rayer la finition de l'unité, altérant son apparence et la rendant vulnérable à l'accumulation de saleté. Utilisation de matériaux abrasifs annulera la garantie.

Nettoyage quotidien

Pour préserver la finition de l'appareil et maintenir la performance, il est recommandé de nettoyer tous les jours l'appareil.

NOTA: Tous les jours, avant d'allumer l'unité, nettoyer et désinfecter les surfaces en pierre en utilisant un désinfectant agréé pour les surfaces en contact avec des aliments.

1. Mettre l'appareil hors tension, débrancher le cordon d'alimentation, et laisser refroidir l'appareil.
2. Nettoyer la protection anti-éclaboussure en verre en utilisant un essuie-tout et un nettoyeur à vitre standard.
3. Essuyer le volet de la lampe et toutes les autres parties en métal avec un tissu propre, doux et humide. Les taches tenaces peuvent être effacées avec un détergent doux et non abrasif.
4. Nettoyer et désinfecter les surfaces en pierre en utilisant un tissu propre et humide, et un désinfectant agréé pour les surfaces en contact avec des aliments. Si un nettoyage supplémentaire est nécessaire, référez-vous aux informations "Nettoyer la surface en pierre" de cette section.

NOTA: Pour corriger les taches inégales et les décolorations, référez-vous aux informations "Nettoyer la surface en pierre" de cette section.

Nettoyer la surface en pierre

Une utilisation appropriée du produit telle que mentionnée ci-dessous n'endommagera pas la surface en pierre (suivez les instructions sur les étiquettes du produit).

NOTA: Les surfaces en pierre sont en pierre artificielle.



S'assurer de nettoyer et de désinfecter correctement la surface en pierre après avoir nettoyé la surface en profondeur avec des abrasifs; et avant de placer des aliments sur l'unité.

Taches tenaces

Pour les taches tenaces, utiliser la compresse abrasive fournie ainsi qu'un nettoyeur abrasif comme Ajax®, Comet®, Bon ami®, ou Bar Keeper's Friend®. Des compresse abrasives supplémentaires sont disponibles auprès de Hatco (P/N 04.39.049.00).

NOTA: Ne pas utiliser de laine d'acier ou de compresse de décapage en métal.

Taches minérales (fer, rouille, cuivre, bronze, etc...)

Pour une tache minérale, il est recommandé d'utiliser des nettoyeurs conçus pour nettoyer le fer ou la rouille qui n'endommageront pas la surface en pierre.

Rayures

Pour les rayures, utiliser du papier de verre en commençant par les plus gros grains de poussière, puis en passant aux plus fins, jusqu'à ce que les rayures disparaissent. Passer la compresse abrasive fournie sur toute la surface.

NOTA: Après avoir nettoyé la surface en pierre en utilisant les méthodes ci-dessus, s'assurer de nettoyer et de désinfecter correctement la surface avant de placer des aliments sur l'unité.

Remplacer une ampoule chauffante

Les lampes chauffantes sur les stations de découpage décoratives sont fournies avec une ampoule chauffante à infrarouge incolore et enduite.



N'utiliser que des lampes chauffantes qui correspondent ou dépassent les standards de la National Sanitation Foundation (NSF), et qui sont spécifiquement conçues pour les zones de conservation de la nourriture. La casse de lampes chauffantes non spécifiquement protégées pourrait engendrer des lésions corporelles et/ou une contamination de la nourriture.

1. Pour remplacer une ampoule, mettre l'interrupteur POWER ON/OFF sur la position OFF et laisser l'ampoule refroidir totalement.
2. Dévisser l'ampoule de l'unité et la remplacer par une nouvelle ampoule (les ampoules ont une base filetée).

Les ampoules de remplacement suivantes sont disponibles auprès de l'usine ou auprès d'un distributeur agréé de pièces détachées.

250 W, 120 V, Enduite et incolore	02.30.069.00
250 W, 120 V, Enduite et rouge	02.30.068.00

⚠ AVERTISSEMENT

La réparation de cet appareil doit être confiée exclusivement à du personnel qualifié. Les réparations par des personnes non qualifiées peuvent provoquer des décharges électriques et des brûlures.

⚠ AVERTISSEMENT

DANGER DE DÉCHARGE ÉLECTRIQUE: Mettez l'unité hors tension depuis l'interrupteur, débranchez le cordon d'alimentation et laissez l'unité refroidir avant d'effectuer tout nettoyage, tout réglage ou tout entretien.

Symptôme	Cause Probable	Solution
Unité n'est pas du tout.	L'appareil n'a pas été mis sous tension.	Placer l'interrupteur I/O (marche/arrêt) sur la position « I » (marche).
	Appareil non branché.	Brancher l'appareil sur une alimentation adéquate.
	Le coupe-circuit a disjoncté.	Réinitialiser le disjoncteur. Si le disjoncteur continue de se déclencher; contactez un agent de service agréé ou Hatco pour obtenir de l'assistance.
	Interrupteur I/O (marche/arrêt) défectueux.	Contactez votre agent de maintenance agréé ou Hatco pour assistance.
L'unité est en marche, mais il n'y a pas de chaleur par le dessus et/ou au niveau de la base.	Pas d'alimentation au niveau de l'appareil.	Assurez-vous que l'unité est branchée et/ou vérifiez le disjoncteur, réinitialisez-le si nécessaire.
	L'ampoule chauffante a grillé.	Remplacer l'ampoule chauffante.
	Interrupteur I/O (marche/arrêt) défectueux.	Contactez votre agent de maintenance agréé ou Hatco pour assistance.
	Le contrôle de la température BASE HEAT (chaleur de la base) est déficient.	Contactez votre agent de maintenance agréé ou Hatco pour assistance.
	Élément chauffant de la base brûlé.	Contactez votre agent de maintenance agréé ou Hatco pour assistance.
Chaleur du dessus trop faible.	La lampe chauffante est trop haute par rapport à la cible.	Baisser la lampe chauffante, en rapprochant la chaleur de la cible.
	Déplacement d'air excessif autour de la zone cible de l'unité.	Restreindre ou rediriger le déplacement d'air (ex : la gaine de climatisation ou le ventilateur d'extraction) à distance de l'unité.
	Voltage électrique trop faible.	Vérifiez l'alimentation électrique de l'appareil, assurez-vous qu'il corresponde aux valeurs sur l'appareil. Si l'alimentation électrique est incorrecte, changez pour correspondre aux valeurs sur l'appareil.
Chaleur du dessus trop élevée.	La lampe chauffante est trop proche de la cible.	Elever la lampe chauffante pour diminuer la chaleur vers la cible.
	La tension est trop élevée.	Vérifiez l'alimentation électrique de l'appareil, assurez-vous qu'il corresponde aux valeurs sur l'appareil. Si l'alimentation électrique est incorrecte, changez pour correspondre aux valeurs sur l'appareil.

suite...

⚠ AVERTISSEMENT

La réparation de cet appareil doit être confiée exclusivement à du personnel qualifié. Les réparations par des personnes non qualifiées peuvent provoquer des décharges électriques et des brûlures.

⚠ AVERTISSEMENT

DANGER DE DÉCHARGE ÉLECTRIQUE: Mettez l'unité hors tension depuis l'interrupteur, débranchez le cordon d'alimentation et laissez l'unité refroidir avant d'effectuer tout nettoyage, tout réglage ou tout entretien.

Symptôme	Cause Probable	Solution
Chaleur de la base trop faible.	Le contrôle de la température BASE HEAT (chaleur de la base) est réglé dans une position trop basse.	Régler le contrôle de la température BASE HEAT (chaleur de la base) sur une position élevée.
	Déplacement d'air excessif autour de la zone cible de l'unité.	Restreindre ou rediriger le déplacement d'air (ex: la gaine de climatisation ou le ventilateur d'extraction) à distance de l'unité.
	Le contrôle de la température BASE HEAT (chaleur de la base) est déficient.	Contactez votre agent de maintenance agréé ou Hatco pour assistance.
	Élément chauffant de la base brûlé.	Contactez votre agent de maintenance agréé ou Hatco pour assistance.
Chaleur de la base trop élevée.	Le contrôle de la température BASE HEAT (chaleur de la base) est réglé sur une position trop élevée.	Régler le contrôle de la température BASE HEAT (chaleur de la base) sur une position plus basse.
	La tension est trop élevée.	Vérifiez l'alimentation électrique de l'appareil, assurez-vous qu'il corresponde aux valeurs sur l'appareil. Si l'alimentation électrique est incorrecte, changez pour correspondre aux valeurs sur l'appareil.
	Le contrôle de la température BASE HEAT (chaleur de la base) est déficient.	Contactez votre agent de maintenance agréé ou Hatco pour assistance.
La matière de la surface en pierre est tachée, décolorée ou est maculée/décolorée par endroits.	La surface en pierre n'a pas été nettoyée correctement.	Nettoyer la surface en utilisant les informations pour "Nettoyer la surface en pierre" de la section MAINTENANCE de ce manuel. Si ces méthodes ne parviennent pas à fournir des résultats acceptables, contactez Hatco pour obtenir une assistance.

Vous avez des questions en ce qui concerne les pannes ?

Si le problème persiste, veuillez contacter l'agence d'entretien agréée Hatco la plus proche ou Hatco pour obtenir une assistance. Pour trouver l'agence d'entretien la plus proche, rendez-vous sur le site Internet de Hatco (www.hatcocorp.com) et cliquez sur Trouver un agent d'entretien, ou contactez l'équipe d'entretien et de pièces détachées de Hatco :

Numéro de

téléphone: 800-558-0607 ou 414-671-6350

Courriel: partsandservice@hatcocorp.com

Télécopie: 800-690-2966 ou 414-671-3976

Planches de découpage

Des planches à découper en pierre supplémentaires sont disponibles dans divers finitions pour les modèles de stations de découpage décoratives avec une base chauffante.

Modèle DCSBXXX-R24-1

- CBR24GGRAN**Gray Granite (Granit gris)
- CBR24NSKY**Night Sky (Bleu nuit)
- CBR24BSAND**Bermuda Sand (Sable des Bermudes)
- CBR24SGRASS**Sawgrass (Roseau)

Modèle DCSBXXX-2420-1

- CB2420GGRAN**Gray Granite (Granit gris)
- CB2420NSKY**Night Sky (Bleu nuit)
- CB2420BSAND**Bermuda Sand (Sable des Bermudes)
- CB2420SGRASS**Sawgrass (Roseau)

Modèle DCSBXXX-3624-2

- CB3624GGRAN**Gray Granite (Granit gris)
- CB3624NSKY**Night Sky (Bleu nuit)
- CB3624BSAND**Bermuda Sand (Sable des Bermudes)
- CB3624SGRASS**Sawgrass (Roseau)

1. GARANTIE DU PRODUIT

Hatco garantit que les produits qu'il fabrique (les « Produits ») sont exempts de défauts de matériel et de fabrication, dans des conditions normales d'utilisation et de maintenance, pour une période d'un (1) an à partir de la date d'achat à condition que l'appareil soit installé et entretenu conformément aux instructions écrites de Hatco ou 18 mois après la date de l'expédition par Hatco. L'acheteur doit prouver la date d'achat du Produit par l'enregistrement du produit auprès de Hatco ou par d'autres moyens satisfaisants pour Hatco, à sa seule discrétion.

Hatco garantit que les composants du Produit suivants sont exempts de défauts de matériel et de fabrication à partir de la date d'achat (sous réserve des conditions précédentes) pour la ou les périodes de temps et en fonction des conditions listées ci-dessous :

a) Garantie d'un (1) an pour les pièces et la main-d'œuvre PLUS un an (1) supplémentaire pour les pièces uniquement :

Éléments du grille-pain à convoyeur (enveloppe métallique)
 Éléments des tiroirs chauffants (enveloppe métallique)
 Tiroirs, roues et glissières des tiroirs chauffants
 Éléments des rampes chauffantes (enveloppe métallique)
 Éléments des vitrines chauffantes
 (enveloppe métallique, air chauffant)
 Éléments des armoires de stockage
 (enveloppe métallique, air chauffant)
 Éléments des compartiments chauffants —
 série HW et HWB (enveloppe métallique)

b) Garantie d'un (1) an pour les pièces et la main-d'œuvre PLUS quatre (4) ans pour les pièces uniquement :
 Cuves 3CS et FR

c) Garantie d'un (1) an pour les pièces et la main-d'œuvre PLUS neuf (9) ans pour les pièces uniquement :
 Cuves des appareils de chauffage d'appoint électriques
 Cuves des appareils de chauffage d'appoint à gaz

d) Garantie de quatre-vingt-dix (90) jours pour les pièces uniquement :
 Pièces de rechange

LES GARANTIES PRÉCÉDENTES SONT EXCLUSIVES ET REMPLACENT TOUTES AUTRES GARANTIES, EXPRESSES OU IMPLICITES, COMPRENANT, MAIS NE SE LIMITANT PAS À, TOUTES GARANTIES IMPLICITES DE QUALITÉ MARCHANDE OU DE FINALITÉ PARTICULIÈRE OU TOUTS BREVETS OU TOUTES AUTRES ATTEINTES AUX DROITS DE LA PROPRIÉTÉ INTELLECTUELLE. Sans restreindre la portée générale des énoncés précédents, CES GARANTIES NE COUVRENT PAS : Ampoules d'éclairage à incandescence enduites, lumières fluorescentes, ampoules de lampes chauffantes, ampoules d'éclairage à halogène enduites, ampoules de lampes chauffantes au xénon, tubes d'éclairage DEL, composants en verre et fusibles ; défaut de produit dans la cuve d'un appareil de chauffage d'appoint, dans un échangeur de chaleur à tubes à ailettes ou tout autre équipement de chauffage d'eau causé par la calcification, l'accumulation de sédiments, la réaction d'un produit chimique ou le gel ; ou une mauvaise utilisation, une manipulation ou une mauvaise application, une installation inappropriée du Produit ou l'utilisation d'une tension inappropriée.

2. LIMITES DES RECOURS ET DES DOMMAGES

La responsabilité de Hatco et la seule voie de recours de l'Acheteur prévues par les présentes seront limitées exclusivement, au gré de Hatco, à la réparation ou au remplacement à l'aide de pièces ou de Produits nouveaux ou remis à neuf par Hatco ou un centre de réparation agréé par Hatco (sauf si l'Acheteur se situe hors États-Unis, du Canada, du Royaume-Uni ou de l'Australie, auquel cas la responsabilité de Hatco et la seule voie de recours de l'Acheteur seront limitées exclusivement au remplacement des pièces concernées par la garantie) à l'égard de toute revendication effectuée dans les délais de garantie applicables mentionnés ci-dessus. Hatco se réserve le droit d'accepter ou de rejeter toute réclamation en partie ou dans son intégralité. Dans le cadre de cette Garantie limitée, « remis à neuf » signifie une pièce ou un Produit dont les caractéristiques techniques d'origine ont été restaurées par Hatco ou un centre de réparation agréé par Hatco. Hatco n'acceptera aucun retour de Produits sans qu'il n'ait auparavant donné son accord écrit, et tous ces retours approuvés doivent être effectués aux seuls frais de l'Acheteur. HATCO NE SERA PAS TENU RESPONSABLE, DANS AUCUNE CIRCONSTANCE, DES DOMMAGES CONSÉCUTIFS OU INDIRECTS, COMPRENANT, MAIS NE SE LIMITANT PAS À, LES COÛTS DE MAIN-D'ŒUVRE OU PERTES DE PROFITS DUS À UNE UTILISATION OU À UNE IMPOSSIBILITÉ D'UTILISER LES PRODUITS OU DUS AU FAIT QUE LES PRODUITS ONT ÉTÉ INTÉGRÉS DANS OU QU'ILS SONT DEVENUS UN COMPOSANT DE TOUT AUTRE PRODUIT OU BIEN.

AUTHORIZED PARTS DISTRIBUTORS • AUTORISÉS DISTRIBUTEURS DE PIÈCES

ALABAMA

Jones McLeod Appl. Svc.
Birmingham 205-251-0159

ARIZONA

Service Solutions Group
Phoenix 602-234-2443

Byassee Equipment Co.
Phoenix 602-252-0402

CALIFORNIA

Industrial Electric
Commercial Parts & Service, Inc.
Huntington Beach 714-379-7100

Chapman Appl. Service
San Diego 619-298-7106

P & D Appliance
Commercial Parts & Service, Inc.
S. San Francisco 650-635-1900

COLORADO

Hawkins Commercial Appliance
Englewood 303-781-5548

FLORIDA

Whaley Foodservice Repair
Jacksonville 904-725-7800

3Wire Nass Service Co., Inc.
Orlando 407-425-2681

B.G.S.I.
Pompano Beach 954-971-0456

Comm. Appliance Service
Tampa 813-663-0313

GEORGIA

TWC Services
Mableton 770-438-9797

Heritage Service Group
Norcross 866-388-9837

Southeastern Rest. Svc.
Norcross 770-446-6177

HAWAII

Burney's Comm. Service, Inc.
Honolulu 808-848-1466

Food Equip Parts & Service
Honolulu 808-847-4871

ILLINOIS

Parts Town
Lombard 708-865-7278

Eichenauer Elec. Service
Decatur 217-429-4229

Midwest Elec. Appl. Service
Elmhurst 630-279-8000

Cone's Repair Service
Moline 309-797-5323

INDIANA

GCS Service
Indianapolis 317-545-9655

IOWA

Goodwin Tucker Group
Des Moines 515-262-9308

KENTUCKY

Service Solutions Group
Lexington 859-254-8854

Service Solutions Group
Louisville 502-451-5411

LOUISIANA

Chandlers Parts & Service
Baton Rouge 225-272-6620

MARYLAND

Electric Motor Service
Baltimore 410-467-8080

GCS Service
Silver Spring 301-585-7550

MASSACHUSETTS

Ace Service Co., Inc.
Needham 781-449-4220

MICHIGAN

Bildons Appliance Service
Detroit 248-478-3320

Commercial Kitchen Service
Bay City 517-893-4561

Midwest Food Equip. Service
Grandville 616-261-2000

MINNESOTA

GCS Service
Plymouth 800-345-4221

MISSOURI

General Parts
Kansas City 816-421-5400

Commercial Kitchen Services
St. Louis 314-890-0700

Kaemmerlen Parts & Service
St. Louis 314-535-2222

NEBRASKA

Anderson Electric
Omaha 402-341-1414

NEVADA

Burney's Commercial
Las Vegas 702-736-0006

Hi. Tech Commercial Service
N. Las Vegas 702-649-4616

NEW JERSEY

Jay Hill Repair
Fairfield 973-575-9145

Service Plus
Flanders 973-691-6300

NEW YORK

Acme American Repairs, Inc.
Brooklyn 718-456-6544

Alpro Service Co.
Brooklyn 718-386-2515

Appliance Installation
Buffalo 716-884-7425

Duffy's Equipment Services, Inc.
Buffalo 800-836-1014

3Wire Northern
Plattsburgh 800-634-5005

Duffy's Equipment Services, Inc.
Sauquoit 800-836-1014

J.B. Brady, Inc.
Syracuse 315-422-9271

NORTH CAROLINA

Authorized Appliance
Charlotte 704-377-4501

OHIO

Akron/Canton Comm. Svc. Inc.
Akron 330-753-6635

Service Solutions Group
Cincinnati 513-772-6600

Commercial Parts and Service
Columbus 614-221-0057

Electrical Appl. Repair Service
Brooklyn Heights 216-459-8700

E. A. Wichman Co.
Toledo 419-385-9121

OKLAHOMA

Hagar Rest. Service, Inc.
Oklahoma City 405-235-2184

Krueger, Inc.
Oklahoma City 405-528-8883

OREGON

Ron's Service, Inc.
Portland 503-624-0890

PENNSYLVANIA

Elmer Schultz Services
Philadelphia 215-627-5401

FAST Comm. Appl. Service
Philadelphia 215-288-4800

Appliance Installation & Service
Pittsburgh 412-809-0244

K & D Service Co.
Harrisburg 717-236-9039

Electric Repair Co.
Reading 610-376-5444

RHODE ISLAND

Marshall Electric Co.
Providence 401-331-1163

SOUTH CAROLINA

Whaley Foodservice Repair
W. Columbia 803-791-4420

TENNESSEE

Camp Electric
Memphis 901-527-7543

TEXAS

GCS Service
Fort Worth 800-433-1804

Armstrong Repair Service
Houston 713-666-7100

Cooking Equipment Specialist
Mesquite 888-866-9276

Refrigerated Specialist, Inc.
Mesquite 888-866-9276

Commercial Kitchen Repair Co.
San Antonio 210-735-2811

UTAH

La Monica's Rest. Equip. Service
Murray 801-263-3221

VIRGINIA

Daubers
Norfolk 757-855-4097

Daubers
Springfield 703-866-3600

WASHINGTON

3Wire Restaurant Appliance
Seattle 800-207-3146

WISCONSIN

A.S.C., Inc.
Madison 608-246-3160

A.S.C., Inc.
Milwaukee 414-543-6460

CANADA

ALBERTA

Key Food Equipment Service
Edmonton 780-438-1690

BRITISH COLUMBIA

Key Food Equipment Service
Vancouver 604-433-4484

Key Food Equipment Service
Victoria 250-920-4888

MANITOBA

Air Rite, Inc.
Winnipeg 204-895-2300

NEW BRUNSWICK

EMR Services, Ltd.
Moncton 506-855-4228

ONTARIO

R.G. Henderson Ltd.
Toronto 416-422-5580

Choquette - CKS, Inc.
Ottawa 613-739-8458

QUÉBEC

Choquette - CKS, Inc.
Montreal 514-722-2000

Choquette - CKS, Inc.
Québec City 418-681-3944

UNITED KINGDOM

Marren Group
Northants +44(0)1933 665313

HATCO CORPORATION

P.O. Box 340500

Milwaukee, WI 53234-0500 U.S.A.

800-558-0607 414-671-6350

Parts and Service Fax 800-690-2966

International Fax 414-671-3976

partsandservice@hatcocorp.com

www.hatcocorp.com

Register your unit online!

See IMPORTANT OWNER INFORMATION
section for details.

S'inscrire en ligne!

Lisez la section INFORMATIONS IMPORTANTES
POUR LE PROPRIÉTAIRE pour plus de informations.