

# SOMERSET

Tel: 978.667.3355

800.772.4404

Fax: 978.671.9466

Email: [somerset@smrset.com](mailto:somerset@smrset.com)

[www.smrset.com](http://www.smrset.com)



## SDP-747

## DOUGH PRESS

### IDEAL FOR:

- Pizza
- Gluten-free products
- Tortillas
- Chapati
- Navaho Bread
- Pita Bread
- Parathas
- Roti
- Lavash
- Flat Bread

### HIGHLIGHTS:

- Accurate, consistent, even product, faster than hand tossed.
- Extra height between plates allows easy operation.
- Over 600 pcs per hour
- Compact tabletop design
- Self-powered mechanism
- Simple temperature controls
- Simple thickness adjustments
- Heavy duty, maintenance-free
- Easy to discharge products
- Heat protection guard
- Non-stick work surfaces
- Assist mechanism reduces force needed to flatten products.



**SOMERSET INDUSTRIES, INC • 1 ESQUIRE ROAD • NORTH BILLERICA, MA 01862 • U.S.A.**

# SOMERSET

## DOUGH PRESS

# SDP-747

**SDP-747 STANDARD**

**SDP-747D WITH MOLDS**

### FEATURES

- *Reliable, safe operation*
- *Manual with mechanical assist mechanism*
- *Adjustable product thickness with the turn of a dial*
- *Produces various crusts up to 18" (46cm) in diameter*
- *Easy to operate / Easy to clean*
- *Compact / Simple table top design*
- *Safe; top-heated platen*
- *Fully adjustable heat controls with LED temp display*
- *Heavy duty stainless steel construction ensures long and trouble free operation*



*For SDP-747D  
Attachable molds  
available for various  
crust shapes and sizes.*

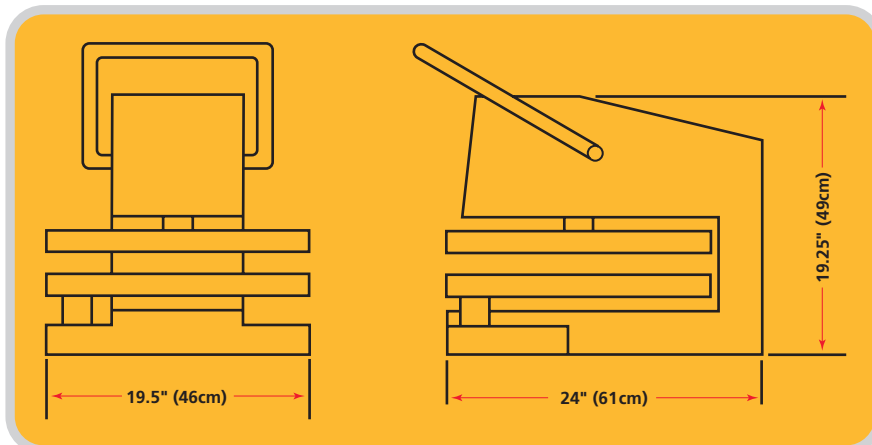
**SDP-747D**

### INDUSTRY USES

- *Pizzerias*
- *Institutions*
- *Mexican establishments*
- *Cafes*
- *Restaurants*
- *Schools*
- *Other ethnic food production*
- *Bakeries*

### SPECIFICATIONS

*(Specifications subject to change without notice)*



- Electrical Data:** Single Phase, 120V/60Hz or 220V/50Hz, 1600 Watts
- Temperature Range:** 0 - 350° F (0 - 177° C)
- Construction:** All Stainless Steel
- Shipping Weight:** 225 lbs. (102.3 kgs)



PATENT PENDING

MADE IN THE U.S.A. 05.10.12