

NEO[®] 140/190 Undercounter Ice Machines

NEO[®] 140/190 Undercounter Ice Machines

Models

URF-0140A
 UDF-0140A

UYF-0140A

UDF-0190A
 UYF-0190A



U-140 / U-190

- Power
- Delay
- Clean
- Full Bin
- Service

- Ranging from 137 lbs. (62 kg) to 190 lbs. (79 kg) daily ice production
 - Only 26" (66.04 cm) wide, 28.50" (72.4 cm) deep, and 38.50" (97.8 cm) high on 6" (15.24 cm) legs
 - Cabinet volume 3.037 ft³ (0.086 m³)
 - 90 lb. (40.0 Kg) ice storage capacity*
- * Application capacity based on: 90% volume x 33lbs/ft³ average density of ice.

NEO undercounter ice machines are designed to provide ice right where you need it – within reach. Improvements in **Performance, Intelligence and Convenience** make your ice machine easy to own and less expensive to operate.

Performance – NEO produces more ice than ever before while using less water and energy. The storage bin provides industry leading capacity.

Intelligence – NEO provides feedback with full bin and service indicators. Delay function allows you to pause your machine for slow periods or days when you're closed.

Convenience – NEO offers a forward-sliding storage bin for easy access to refrigeration components without having to move the entire ice machine. Smooth, sealed food-zone with removable water trough, distribution tube, and damper door for faster cleaning. AlphaSan added to key internal components.

Available **LuminIce[®] Growth Inhibitor** extends cleaning intervals by reducing yeast and bacteria growth keeping your ice machine cleaner, longer.

Specifications

BTU Per Hour:

U-140: 2,150 (average)
2,600 (peak)

U-190: 2,150 (average)
2,600 (peak)

Compressor:

Nominal rating: .42 HP

Operating Limits:

• Ambient Temperature Range:
40° to 110°F (4.4° to 43.3°C)

• Water Temperature Range:
45° to 90°F (4.4° to 32.2°C)

• Water Pressure Ice Maker Water In:
Min. 20 psi (137.9 kPa)
Max. 80 psi (551.1 kPa)



Ice Shape



Half Dice

3/8" x 1 1/8" x 7/8"
(.95 x 2.86 x 2.22 cm)



Dice

7/8" x 7/8" x 7/8"
(2.22 x 2.22 x 2.22 cm)



Regular

1 1/8" x 1 1/8" x 7/8"
(2.86 x 2.86 x 2.22 cm)

Ice Machine Electric

115/60/1. (208-230/60/1 and 230/50/1 available.) 115/60/1 ice machines are factory pre-wired with a 6' (180 cm) power cord and NEMA 5-15P-plug configuration. 208-230/60/1 ice machines are factory pre-wired with a 6' (180 cm) power cord only, no plug is supplied.

Total Amps:

U-140: 115/60/1: Air-cooled: 5 amps
208-230/60/1: Air-cooled: 2.5 amps

U-190: 115/60/1: Air-cooled: 6 amps
208-230/60/1: Air-cooled: 3 amps

Maximum fuse size:

Air-cooled: 15 amps

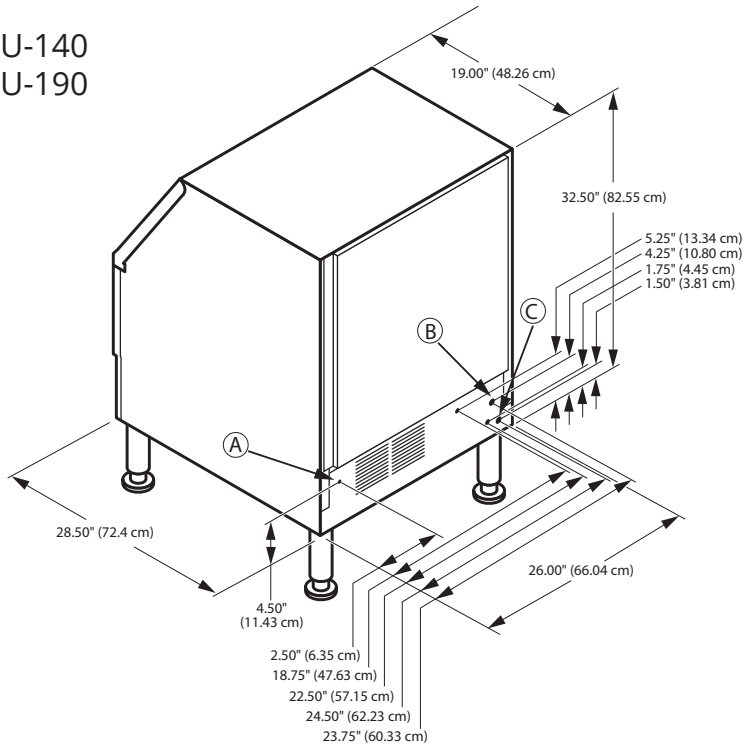
HACR-type circuit breakers can be used in place of fuses.



COMPANY WITH
QUALITY SYSTEM
CERTIFIED BY DNV
= ISO 9001:2008 =



U-140
U-190



Installation Note Recommended clearance for top, sides, and back is 5" (12.7 cm) however, there is no minimum clearance required.

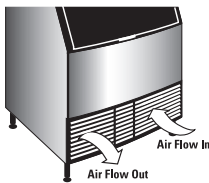
- (A) Electrical Entrance
- (B) 3/8" (0.95 cm) F.P.T. Ice Making Water Inlet
- (C) 1/2" (1.27 cm) F.P.T. Ice Bin Drain

Specifications

Model	Ice Shape	Ice Production 24 Hours				Power kWh/ 100 lbs. @ 90°/70°F 32°/21°C	Potable water usage gal/100 lbs. ice @90/70 °F
		70°Air/50°F Water 21°Air/10°C Water		90°Air/70°F Water 32°Air/21°C Water			
URF-0140A	regular	127 lbs	58 kg	95 lbs	43 kg	9.6	16.7
UDF-0140A	dice	135 lbs	61 kg	95 lbs	43 kg	9.8	16.7
UYF-0140A	half-dice	137 lbs	62 kg	100 lbs	45 kg	9.2	16.7
UDF-0190A	dice	198 lbs	90 kg	140 lbs	64 kg	8.4	23.9
UYF-0190A	half-dice	193 lbs	88 kg	140 lbs	64 kg	8.3	21.6

Standard 6" / 15.24 cm adjustable flange foot - gray painted legs included.
Standard plastic NEO ice scoop included.

Air Flow



Air in right, air out left, no side vents. Great for installation under countertops and next to other equipment.

Removable Bin



Air Filter



Simple, tool-free removal for quick access during routine cleaning and maintenance.

Welbilt reserves the right to make changes to the design or specifications without prior notice. ©2018 Manitowoc