

Vertical Contact Toaster



VCT-50

The Vertical Contact Toaster models VCT-25 and VCT-50 are designed for contact toasting of buns. The toaster design allows the operator to place buns on both sides of the heated platen at the same time. Buns are placed into the top of the toaster and uniform, golden brown, warm buns are then retrieved at the bottom.

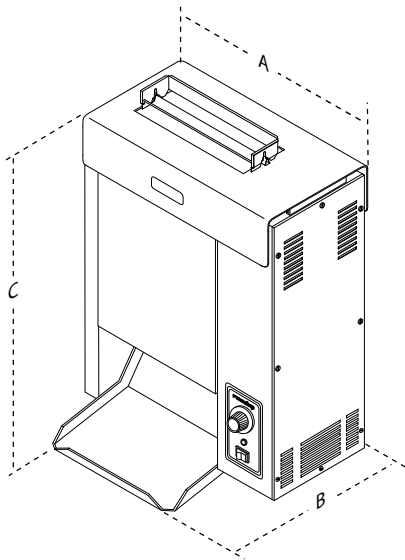
Each of our Vertical Contact Toasters is manufactured from the finest materials available and assembled to Roundup's strict quality standards. All units are tested at the factory to ensure dependable trouble-free operation.

Features:

- Easy to operate.
- Easy to clean and maintain.
- Space-saving vertical design.
- VCT-25: 25-second pass-through time.
- VCT-50: 50-second pass-through time.
- Adjustable for different products.
- Stainless steel construction for long life and durability.

Vertical Contact Toaster

Dimensions



Model & Mfg. No.	Width (A)	Depth (B)	Height (C)
VCT-25 9200620 9200628	21 1/4" (540 mm)	15 1/4" (387 mm)	23 1/4" (591 mm)
VCT-50 9200600 9200608	21 1/4" (540 mm)	15 1/4" (387 mm)	23 1/4" (591 mm)

Shipping Dimensions

Model & Mfg. No.	Height	Width	Depth	Weight
VCT-25 9200620 9200628	33" (838 mm)	26" (660 mm)	16" (406 mm)	88 lbs. (40 kg)
VCT-50 9200600 9200608	33" (838 mm)	26" (660 mm)	16" (406 mm)	84 lbs. (38 kg)

Electrical Ratings and Plug Configuration

Model & Mfg. No.	Volts	Watts	Amps	Hertz	Plug Description
VCT-25 9200620	120	1760	14.7	50/60	NEMA 5-15P 15 Amp., 120 Volt
VCT-25 9200628	208- 240	2600- 3460	12.5-14.4	50/60	CEE 7/7 16 Amp., 250 Volt
VCT-50 9200600	120	1760	14.7	50/60	NEMA 5-15P 15 Amp., 120 Volt
VCT-50 9200608	208- 240	2600- 3460	12.5	50/60	CEE 7/7 16 Amp., 250 Volt



A.J. Antunes & Co.
We exist to make our customers successful.

A.J. Antunes & Co.
Headquarters/Manufacturing
Carol Stream, Illinois 60188 USA
Phone (630) 784-1000
Toll Free (800) 253-2991
FAX (630) 784-1650

Antunes Equipment
Manufacturing (Suzhou) Ltd.,
Suzhou, Jiangsu, China 215011
Phone: 86-512-6841-3637
Fax: 86-512-6841-3907

P/N 1020232 Rev. E 04/11